

CANBERRA & DARWIN FOLDING SLIDING PATIO DOORSET FITTING & FIXING GUIDELINES



CAUTION SAFETY: This product needs to be installed by a competent tradesperson with assistance. Two people are required to carry out the installation, as some components are heavy. The outer frame requires fixing to the supporting structure above the opening. The opening **MUST** be capable of carrying the load of the doorset in all conditions.
IMPORTANT: See notes on page 2.

Contents

Introduction	2	4L2R	28
CE Marking	2	4R	29
Patio doorsets fitting finishing and care instructions	3&4	5L	30
Doorset lintel specification	5	5L1R	31
Building Regs	6	5R	32
Tools required	6	Frame assembly	33
What you receive	6&7	Fixing frame in opening	34,35 & 36
Pack contents	7,8 & 9	Door Hardware installation	37
Planning the layout	10	Hanging Door Panels	38,39 & 40
1L2R	11	Adjustment	40
1L3R	12	Finishing and Maintenance	41
1L4R	13	Guarantees	42
1L5R	14	Troubleshooting	43
2L	15		
2L1R	16		
2L2R	17		
2L3R	18		
2L4R	19		
2R	20		
3L	21		
3L1R	22		
3L2R	23		
3L3R	24		
3R	25		
4L	26		
4L1R	27		

IMPORTANT:

You should have already received a copy of the Sliding Folding pre-installation information leaflet, this can be downloaded at www.jeld-wen.co.uk if required.

Installation of these patio doorsets should be carried out by a minimum of two people.

Prior to installing this doorset please ensure you have carefully inspected each package. In the unlikely event you discover any damage or defect do not proceed to fit until you have notified JELD-WEN (0845 122 2893 option 3).

This doorset and all its components should be stored in a dry flat location prior to and during installation.

Depending on the product you have purchased varying levels of additional finishing may be required. Where additional machining has been carried out all untreated surfaces should be suitably decorated. **Unfinished products should be fully decorated prior to installation. Please now refer to pages 3-4 for more information.**

These doors use a top hung carrier system and therefore require an adequate structural opening supported by a lintel. See Doorset Lintel Specification Guide on page 5.

All loads are taken by the headtrack providing smooth light operation and long life. The top hung system avoids the build-up of debris restricting operation that occurs with many bottom rolling systems.

1 Patio Doorsets Fitting, Finishing and Care Instructions

Canberra & Darwin doorsets are supplied factory finished.

Unfinished, Patio Doorsets

These doors are manufactured using an engineered construction for greater stability. These doorsets and all components must be fully decorated on site prior to installation. You must use a suitable Hi-Build paint or stain. These doorsets are manufactured using a finger jointed and engineered construction.

The timber used is a natural sustainable product, and if not correctly decorated is subject to changes caused by variation in humidity and temperature. If these doors are exposed to these changes without the correct decoration, movement or distortion such as swelling, shrinking, warping or splitting will occur. Warp in the plane of the door will only be considered a defect if it exceeds 6mm when measured, as deviation from a straight edge on the suspected concave surface of the door in its installed position.

Handling

When handling these doors care is required to avoid physical damage, use clean gloves and do not drag doors across each other or other surfaces.

Biocide Regulations 1st September 2013

Preserved wood should not be cut or otherwise reworked as this will expose un-preserved wood. Any surface which is exposed by cutting or drilling must be retreated with an HSE approved cut end preservative. Follow the instructions for safe use on the manufacturers' safety data sheet.

Due to the hardwood materials' natural durability qualities no preservative has been applied.

Storage

Doors must be stored in a flat position, and not on an edge or an end. They must be on a level surface and kept clear of the floor on at least three level bearers. The bearers must be longer than the width of the door, and they must be stored in a clean, dry location and should be fully sealed before use. Exposure to sunlight, UV light or extremes of humidity and heat must be avoided, and doors should never be stored in areas which are subject to extremes in temperature. The storage area should have good ventilation and must not have been recently plastered. Special attention should be made in a centrally heated or air-conditioned building where moisture content could build up. Warranty claims for twisting, bowing, shrinking, or swelling that are moisture related (while the doors are not sealed according to our guidelines) will be rejected.

Sealing

Prior to priming or sealing, lightly sand any handling marks or variations caused by exposure and ensure the door is dust free. Do not use wire wool or other sanding materials with steel or iron elements. Knotting solution must be reapplied if knots become visible. It is important that the door is then fully sealed using a suitable base sealer on both faces and all four edges, plus any cut-outs for locks, hinges and letter plates etc. Use two coats of base sealer or primer. Failing to seal doors as suggested in our instructions will invalidate any Warranty claims.

Hanging the door

Prior to hanging this door, inspect for damage and do not proceed to work on it if any damage or defect is evident. Installation of the door constitutes acceptance of aesthetics quality. Never hang a door before applying a protective coat of basecoat stain/primer. All lock or handle cavities should be kept to a minimum size and situated away from the mid rail joint, these areas must then be re-sealed. The door must be fully decorated prior to hanging.

Introduction

Thank you for purchasing a sliding folding patio door-set from JELD-WEN.

Your Canberra & Darwin Doorset can be arranged to slide either from the left or the right hand side. Wherever possible all machining has been completed for you, however there are certain operations you will need to undertake once you have determined which handing you require.

Information showing the position of the hinges and lock are contained within these instructions.

1 Patio Doorsets Fitting, Finishing and Care Instructions cont...

Decoration (unfinished doorsets)

All door leaves and frame components must be finished with high build micro-porous based stains or paints, with particular attention to ensure that any end grain is fully sealed. Our doors are not suitable for varnishes, waxes, polishes or oils as these products do not correctly seal the door. Three top coats of a branded stain or paint are satisfactory, but door must be treated in accordance with the stain/paint manufacturer's instruction. A light sanding between coats will provide the best finish, and adequate drying time between coats must be allowed. Failure to follow these instructions will invalidate any claims for excessive movement or delamination.

'Low Build' stains, varnishes, Danish Oil or any other finishes must **not** be used. Pigmented translucent finishes generally perform much better than clear. It is recommended that dark coloured stains or paint should be avoided particularly if the doorset is exposed to the full heat of the sun on south or south west elevations. Dark finishes increase surface temperatures and cause excessive drying out; this can lead to surface deterioration requiring more regular maintenance.

We recommend that in areas of severe exposure, external doors should be protected by a porch or hood/canopy in addition to the recommended decorative finish. Regular maintenance of this door should be made to prevent deterioration of the wood, its construction and the finish.

Maintenance of fully finished products

JELD-WEN fully finished doorsets have a high build factory applied paint (or stained) finish. It is tough, durable and micro-porous allowing the timber to breath, protecting build up of excess moisture under the coating. Modest maintenance of the paint coating is important to ensure the long service of these products.

Step by Step maintenance guide

1. Bi-Annual Inspection: The paint finish should be inspected annually for damage, typically caused by a window cleaners ladder or objects being passed through the doorset or window.
If damage is found it must be dealt with promptly by sanding back to the undamaged frame and touching up with a matching micro-porous paint and top coat.
2. Planned Maintenance: for all factory finished products will depend on your location and exposure – maritime or industrial areas will require more regular decoration than sheltered inland climates. Please refer to www.jeld-wen.co.uk for further information.

The first maintenance cycle should be carried out, regardless of the appearance of the doorset. The original paint finish in exposed areas will have worn away to around half its original specification and will need to be restored back to its original state. Simply wash the frame down with a dilute soap solution, dry and lightly rub down the surface with fine 'wet and dry' sandpaper, grit (280 to 400) grade. Dust off and clean using a damp cloth removing any remaining surrounding dust, then apply one top coat of micro-porous paint* over the exposed surfaces.

There should be no need to paint rebates or concealed faces as these should be in good condition and no erosion should have occurred. The doorset finish should then be in good condition until the next planned maintenance.

* Micro-porous paint can be used that are either water or solvent (oil) based. Manufacturers instructions must be followed paying particular attention to temperature at the time of application.

Condition of Sale

In the event of this door being proven to have a manufacturing defect, where a replacement is needed, the liability of the seller shall under no circumstances exceed the price of the defective door. We shall not be held responsible for any incidental work or for problems resulting from poor workmanship applied to our doors.

Due to the construction of engineered timber:

- finger/laminate joints maybe visible on the finished product.
- visible grain can vary between individual engineered sections.
- timber is a natural product and will swell or shrink to varying degrees dependent on location etc.

Glass units

- Defects will only be considered under the standards of the GGF Code of Good Practice
- Due to the high thermal properties of insulating glass units, condensation may form on external faces of the glass units if environmental conditions allow.

Thermal Bridging

- in certain applications this may result in condensation forming on the products metallic surfaces.

The foregoing does not affect your statutory rights. For more information please refer to our website www.jeld-wen.co.uk

2 Doorset Lintel Specification

This information is intended to be available before the purchase of a Canberra patio doorset and is to assist with the purchase or specification of the appropriate lintel.

Lintels must have at least 150mm bearing at each end. The overall length of a lintel should at least be the sum of the opening width plus 300mm (minimum).

The safe working load for the lintel must not be exceeded by the combined loads imposed by the structure and the loads imposed by the Canberra Patio Doorset

When specifying the lintel it will be also necessary to advise the type of construction, the type and thickness of the inner and outer leaves and the width of the cavity. It will also be necessary to advise the exposure rating for the site to determine if a cavity tray is required.

The additional loads imposed by the Canberra Patio Doorset will be a uniformly Distributed Load (UDL) of 0.5kN (approx. 50 kg) per metre run.

Loads imposed by the structure will include loads from roof trusses, floor joists and masonry.

Head Fixing (see table below)

The load of the Canberra Patio doorset will be applied through screws fixed through nylon bushes located in 5mm diameter holes along the centre of the external flange of the lintel.

The nylon bushes will prohibit any electrolytic corrosion between the lintel and the metal fixing. Canberra & Darwin patios are supplied with special fixings for use when fitting into a **steel lintel** only. For other lintel types please refer to JELD-WEN or a Structural Engineer before proceeding.

Jamb Fixing

The jambs should be fixed using the 5 fixings (provided) evenly spaced to suit the brickwork.

Sill Fixing

3 sill fixing brackets are supplied and should be evenly spaced along the length of the sill and fixed in place finally fixed to the sub floor.

Patio Width ↓	Fixing position measured from either end																		
	100	175	250	325	400	700	1000	1400	1475	1550	1625	1700	1875	1950	2025	2100	2175	2250	2325
1800	100	175	250	325	400	700	1000	1400	1475	1550	1625	1700							
2100	100	175	250	325	400	700	1100	1300	1700	1775	1850	1925	2000						
2400	100	175	250	325	400	700	1100	1600	2000	2075	2150	2225	2300						
3000	100	175	250	325	400	700	1100	1500	1800	2200	2600	2675	2750	2825	2900				
3600	100	175	250	325	400	700	1100	1500	1900	2400	2800	3200	3275	3350	3425	3500			
4200	100	175	250	325	400	700	1100	1500	1900	2300	2600	3000	3400	3800	3875	3950	4025	4100	

For advice on Lintels please seek a qualified structural engineer or Lintel supplier.

Building Regulations:

Please consult with your building designer to ensure compliance with current building regulations such as Approved Documents L&F.

Replacing patio doorsets is notifiable work and MUST either be carried out by a FENSA or other registered installer, or with prior Building Control approval.

Registered FENSA companies can be found at www.fensa.co.uk.

Addition: Part M: These doorsets are not suitable for primary access under this regulation. If this is required you should consider a JELD-WEN French or Single doorset. You can view the full range of at www.jeld-wen.co.uk

3 Tools Required

The following tools and items are required to carry out the installation of the doorset.

- Spirit level
- Masonry Drill
- Screwdriver
- Measuring tape
- Appropriate Silicone sealant
- Mallet - Rubber headed
- Frame packers if required
- Drill bit 3.5mm dia – 1 x masonry
- 1 x steel cutter. Both 125mm minimum length

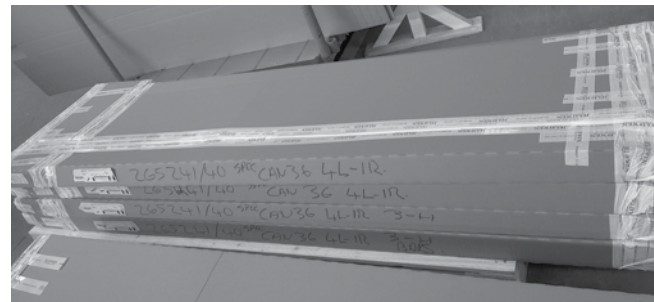


Go to www.jeld-wen.co.uk for a video guide on installing your patio doorset or scan this QR code.

4 What you receive

The doorset and all its components are delivered on a pallet, check quantities on your delivery ticket are the same as those on the pallet.

If there are any items missing phone JELD-WEN on: 01664 484500



Pallet contents: Door panels (boxed individually)

- 1800 – 2 Doors
- 2100 – 3 Doors
- 2400 – 3 Doors
- 3000 – 4 Doors
- 3600 – 5 Doors
- 4200 – 6 Doors
- 4800 – 6 Doors

5 Pack contents



Fitting Instructions Booklet



Fixing pack



Handle Pack



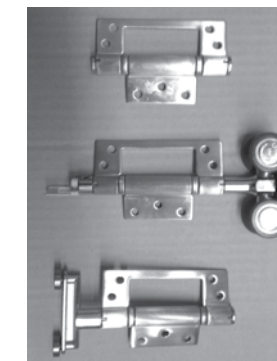
Concealed pivot set



Intermediate carrier set



Half offset hinge set (With handle)



5 Pack contents cont...



Concealed left hand carrier set



Concealed right hand carrier set



Locking dropbolt



Non Locking Dropbolt

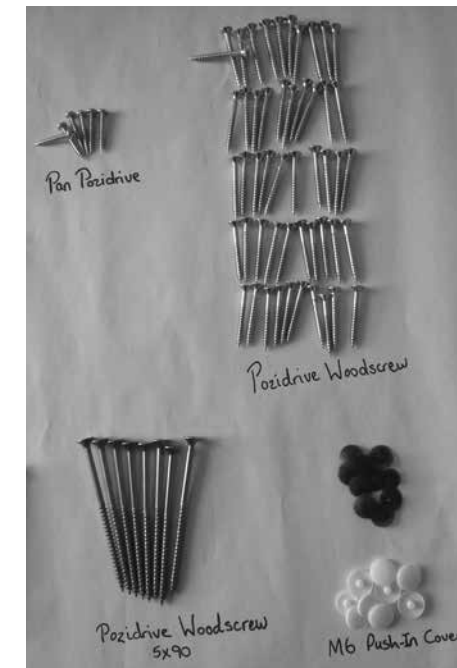


Wall Pivot



5 Pack contents cont...

Frame Fixing Pack



Frame Fixing Pack Contents

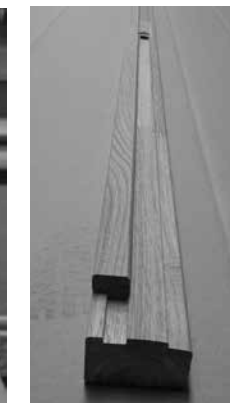
- 54 x 3.5 x 37 CSK Pozidrive Twinhead Woodscrew
- 14 x 7mm Brown Masonry Plugs
- 18 x 5 x 80 self drilling screw CSK Pozidrive
- 10 x 100mm Frame Fixings
- 8 x 5 x 90 CSK Pozidrive Woodscrew
- 6 x 3.5 x 25 PAN Pozidrive Woodscrew
- 10 x Brown M6 push-in cover
- 10 x White M6 push-in cover
- 14 x 147 x 17 Tie Plate
- 20 x 100 x 24 Wedge Packer (1 to 3mm, grey)
- 46 x 100 x 24 Flat Packer (3mm, white)
- 64 x 100 x 24 Flat Packer (1mm, green)

The number of components in the frame fixing pack suit the installation of a 4.8mm wide doorset. For other widths there will be excess fittings.

Frame Pack x 1



Canberra & Darwin Frame Pack



Timber sill



Keep Jamb and Hinge Jamb



Aluminum threshold (optional)



Head

6 Planning the layout

Before you start the installation, carefully plan the following aspects and understand the assembly of a doorset by thoroughly reading these instructions.

To ensure correct operation of the Sliding Folding Patio Doorset it is necessary for the top track to be fixed to a suitable structure that is capable of supporting the loads imposed by the doors, glazing and hardware. (Refer to Section 2 Lintel guide) It is recommended that the opening into which the Sliding Folding Patio Doorset is to be installed is 10mm larger in both height and width than the overall doorset sizes that are given in the table below.

Module Size	Actual Frame Width	Actual Frame Height
1800mm	1794mm	2094mm
2100mm	2094mm	2094mm
2400mm	2394mm	2094mm
3000mm	2994mm	2094mm
3600mm	3594mm	2094mm
4200mm	4194mm	2094mm
4800mm	4794mm	2094mm

2) Door Arrangements

In the next section you are provided with the installed layout of all the configurations of the Canberra & Darwin door hardware arrangements.

Select the one particular to your order and you will see that all the door panels on this sheet are shown in their correct position with the codes that correspond to the door panels codes supplied to you.

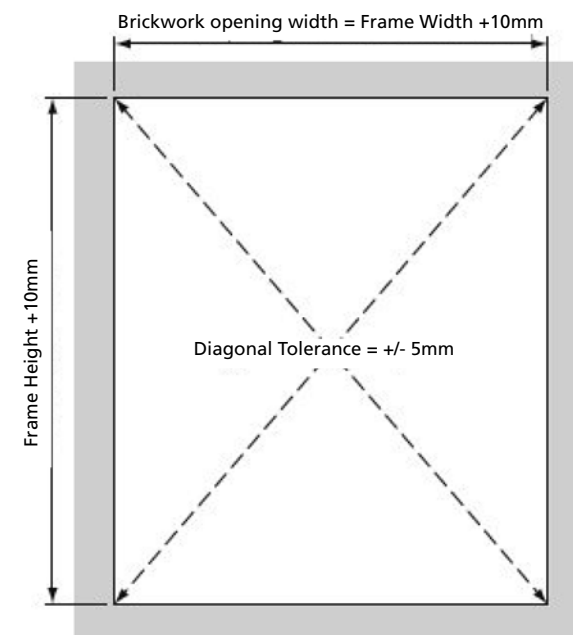
***You MUST make sure that you understand the correct position of all the door panels thoroughly and the hardware layout before proceeding.**

Hardware Arrangements

On the 'Door & Hardware Arrangement Sheet', all the hardware is represented accurately positioned for your particular doorset. You MUST always follow these illustrations to put the hardware on your door leaves. You should build the doorset by installing the door panels one-by-one. All the door panels are pre-drilled for exact position of the hinges/hardware. This also acts as a guide for you to choose the right hardware/door-panel at each stage.

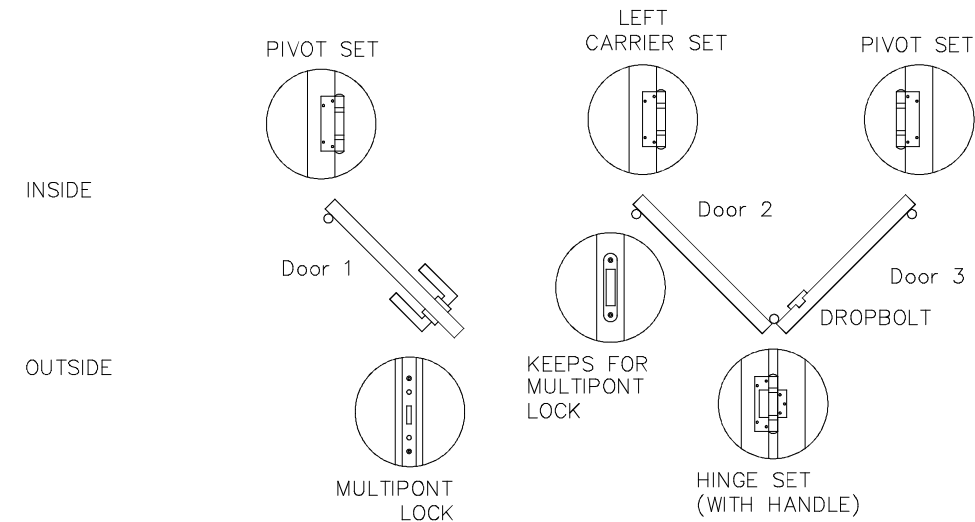
Please note that the hardware must NOT be put on all the doors at the same time.

Structural Opening



1L2R

Door Size: 2100mm (&2400mm) x 2100mm
 Door and Hardware Arrangement: 1L 2R



PACK 1 DOORS

ITEM	QUANTITY
Door 1	1
Door 2	1
Door 3	1

PACK 2 FRAMING

ITEM	QUANTITY
HEAD ASSEMBLY	1
SILL ASSEMBLY	1
LEFT-HAND JAMB ASSEMBLY	1
RIGHT-HAND JAMB ASSEMBLY	1

PACK 3 DOOR HARDWARE

ITEM	QUANTITY
PIVOT SET	2
HINGE SET (WITH HANDLE)	1
LEFT CARRIER SET	1
DROPBOLT (KEYED)	1
DROPBOLT (NON-KEYED)	1

PACK 4 HARDWARE PACK

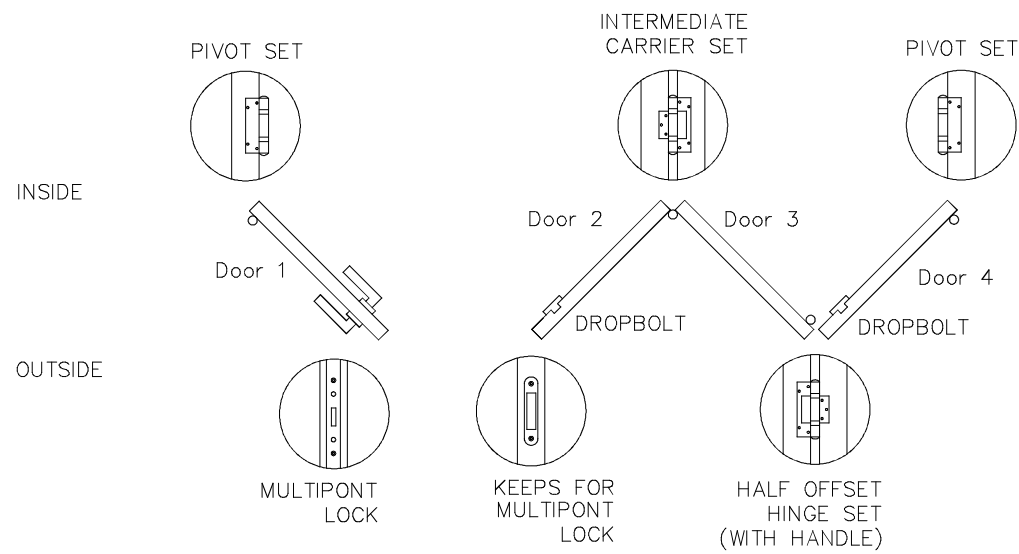
ITEM	QUANTITY
HANDLE PACK	1
HANDLE INSERTS	2
35 MULTIPOINT LOCK (2 HOOKS, 1 BOLT, 1 LATCH)	1
CENTRE KEEP	1
HOOK KEEPS	2

PACK 5 FIXING PACK

ITEM	QUANTITY
CANBERRA FIXING PACK	1

1L3R

Door Size: 3000mm x 2100mm
 Door and Hardware Arrangement: 1L 3R



PACK 1 DOORS

ITEM	QUANTITY
Door 1	1
Door 2	1
Door 3	1
Door 4	1

PACK 2 FRAMING

ITEM	QUANTITY
HEAD ASSEMBLY	1
SILL ASSEMBLY	1
LEFT-HAND JAMB ASSEMBLY	1
RIGHT-HAND JAMB ASSEMBLY	1

PACK 3 DOOR HARDWARE

ITEM	QUANTITY
PIVOT SET	2
HALF OFFSET HINGE SET (WITH HANDLE)	1
INTERMEDIATE CARRIER SET	1
DROPBOLT (KEYED)	2
DROPBOLT (NON-KEYED)	2

PACK 4 HARDWARE PACK

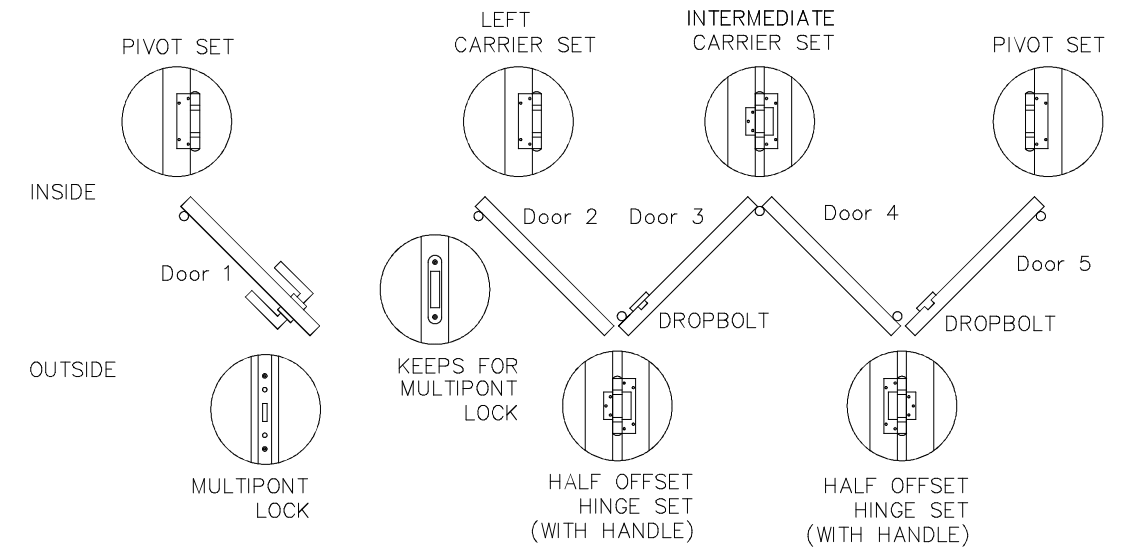
ITEM	QUANTITY
HANDLE PACK	1
HANDLE INSERTS	2
35 MULTIPOINT LOCK (2 HOOKS, 1 BOLT, 1 LATCH)	1
CENTRE KEEP	1
HOOK KEEPS	2

PACK 5 FIXING PACK

ITEM	QUANTITY
CANBERRA FIXING PACK	1

1L4R

Door Size: 3600mm x 2100mm
 Door and Hardware Arrangement: 1L 4R



PACK 1 DOORS

ITEM	QUANTITY
Door 1	1
Door 2	1
Door 3	1
Door 4	1
Door 5	1

PACK 2 FRAMING

ITEM	QUANTITY
HEAD ASSEMBLY	1
SILL ASSEMBLY	1
LEFT-HAND JAMB ASSEMBLY	1
RIGHT-HAND JAMB ASSEMBLY	1

PACK 3 DOOR HARDWARE

ITEM	QUANTITY
PIVOT SET	2
HALF OFFSET HINGE SET (WITH HANDLE)	2
INTERMEDIATE CARRIER SET	1
LEFT CARRIER SET	1
DROPBOLT (KEYED)	2
DROPBOLT (NON-KEYED)	2

PACK 4 HARDWARE PACK

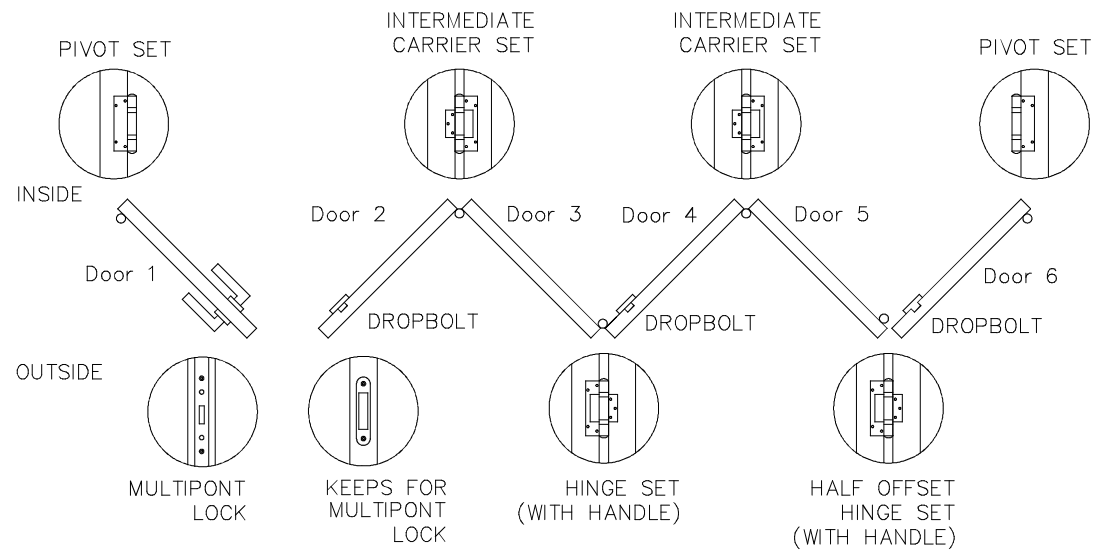
ITEM	QUANTITY
HANDLE PACK	1
HANDLE INSERTS	2
35 MULTIPOINT LOCK (2 HOOKS, 1 BOLT, 1 LATCH)	1
CENTRE KEEP	1
HOOK KEEPS	2

PACK 5 FIXING PACK

ITEM	QUANTITY
CANBERRA FIXING PACK	1

1L5R

Door Size: 4200mm (& 4800mm) x 2100mm
 Door and Hardware Arrangement: 1L 5R



PACK 1 DOORS

ITEM	QUANTITY
Door 1	1
Door 2	1
Door 3	1
Door 4	1
Door 5	1
Door 6	1

PACK 2 FRAMING

ITEM	QUANTITY
HEAD ASSEMBLY	1
SILL ASSEMBLY	1
LEFT-HAND JAMB ASSEMBLY	1
RIGHT-HAND JAMB ASSEMBLY	1

PACK 3 DOOR HARDWARE

ITEM	QUANTITY
PIVOT SET	2
HINGE SET (WITH HANDLE)	1
HALF OFFSET HINGE SET (WITH HANDLE)	1
INTERMEDIATE CARRIER SET	2
DROPBOLT (KEYED)	3
DROPBOLT (NON-KEYED)	3

PACK 4 HARDWARE PACK

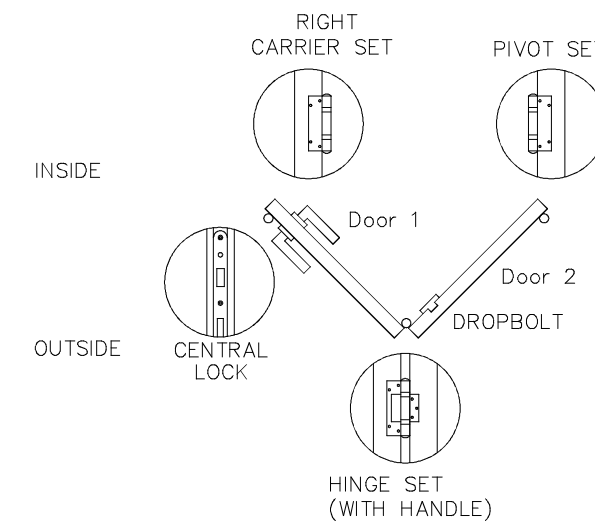
ITEM	QUANTITY
HANDLE PACK	1
HANDLE INSERTS	2
35 MULTIPOINT LOCK (2 HOOKS, 1 BOLT, 1 LATCH)	1
CENTRE KEEP	1
HOOK KEEPS	2

PACK 5 FIXING PACK

ITEM	QUANTITY
CANBERRA FIXING PACK	1

2L

Door Size: 1800mm x 2100mm
 Door and Hardware Arrangement: 2L



PACK 1 DOORS

ITEM	QUANTITY
Door 1	1
Door 2	1

PACK 2 FRAMING

ITEM	QUANTITY
HEAD ASSEMBLY	1
SILL ASSEMBLY	1
LEFT-HAND JAMB ASSEMBLY	1
RIGHT-HAND JAMB ASSEMBLY	1

PACK 3 DOOR HARDWARE

ITEM	QUANTITY
PIVOT SET	1
HINGE SET (WITH HANDLE)	1
RIGHT CARRIER SET	1
DROPBOLT (KEYED)	1
DROPBOLT (NON-KEYED)	1

PACK 4 HARDWARE PACK

ITEM	QUANTITY
HANDLE PACK	1
HANDLE INSERTS	2
35 MULTIPOINT LOCK (2 HOOKS, 1 BOLT, 1 LATCH)	1
CENTRE KEEP	1
HOOK KEEPS	2

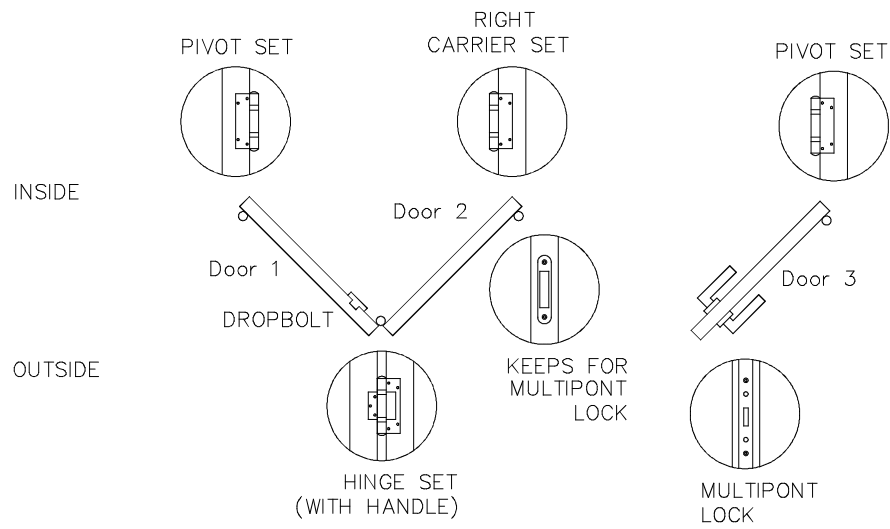
PACK 5 FIXING PACK

ITEM	QUANTITY
CANBERRA FIXING PACK	1

Note:
 Supplied with thumb turn cylinder multi-point lock.
 For operational security this can be locked from the inside only.

2L1R

Door Size: 2100mm (&2400mm) x 2100mm
 Door and Hardware Arrangement: 2L 1R



PACK 1 DOORS

ITEM	QUANTITY
Door 1	1
Door 2	1
Door 3	1

PACK 2 FRAMING

ITEM	QUANTITY
HEAD ASSEMBLY	1
SILL ASSEMBLY	1
LEFT-HAND JAMB ASSEMBLY	1
RIGHT-HAND JAMB ASSEMBLY	1

PACK 3 DOOR HARDWARE

ITEM	QUANTITY
PIVOT SET	2
HINGE SET (WITH HANDLE)	1
RIGHT CARRIER SET	1
DROPBOLT (KEYED)	1
DROPBOLT (NON-KEYED)	1

PACK 4 HARDWARE PACK

ITEM	QUANTITY
HANDLE PACK	1
HANDLE INSERTS	2
35 MULTIPONT LOCK (2 HOOKS,1 BOLT, 1 LATCH)	1
CENTRE KEEP	1
HOOK KEEPS	2

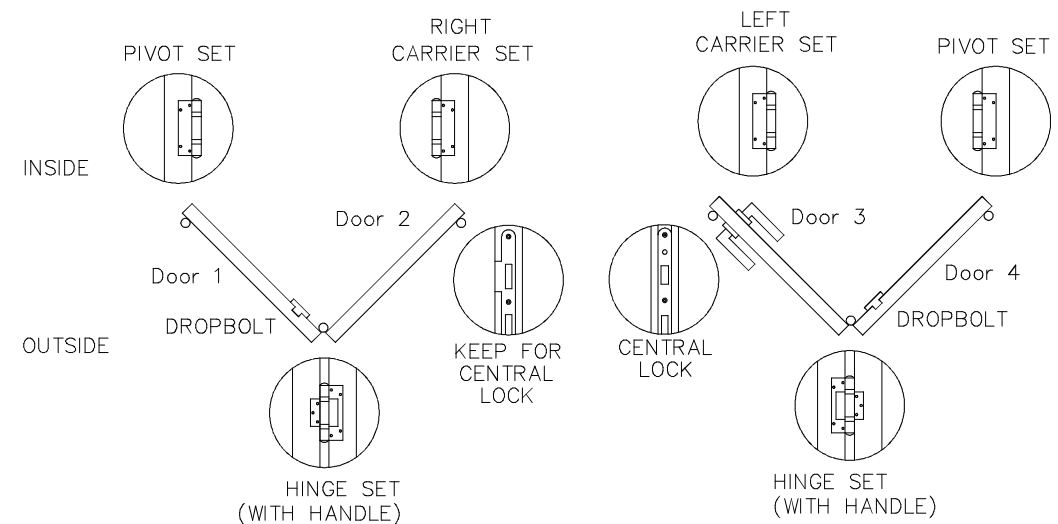
PACK 5 FIXING PACK

ITEM	QUANTITY
CANBERRA FIXING PACK	1

2L2R

Door Size: 3000mm x 2100mm
 Door and Hardware Arrangement: 2L 2R

Note:
 Supplied with thumb turn cylinder multi-point lock.
 For operational security this can be locked from the inside only.



PACK 1 DOORS

ITEM	QUANTITY
Door 1	1
Door 2	1
Door 3	1
Door 4	1

PACK 2 FRAMING

ITEM	QUANTITY
HEAD ASSEMBLY	1
SILL ASSEMBLY	1
LEFT-HAND JAMB ASSEMBLY	1
RIGHT-HAND JAMB ASSEMBLY	1

PACK 3 DOOR HARDWARE

ITEM	QUANTITY
PIVOT SET	2
HINGE SET (WITH HANDLE)	2
RIGHT CARRIER SET	1
LEFT CARRIER SET	1
DROPBOLT (KEYED)	2
DROPBOLT (NON-KEYED)	2

PACK 4 HARDWARE PACK

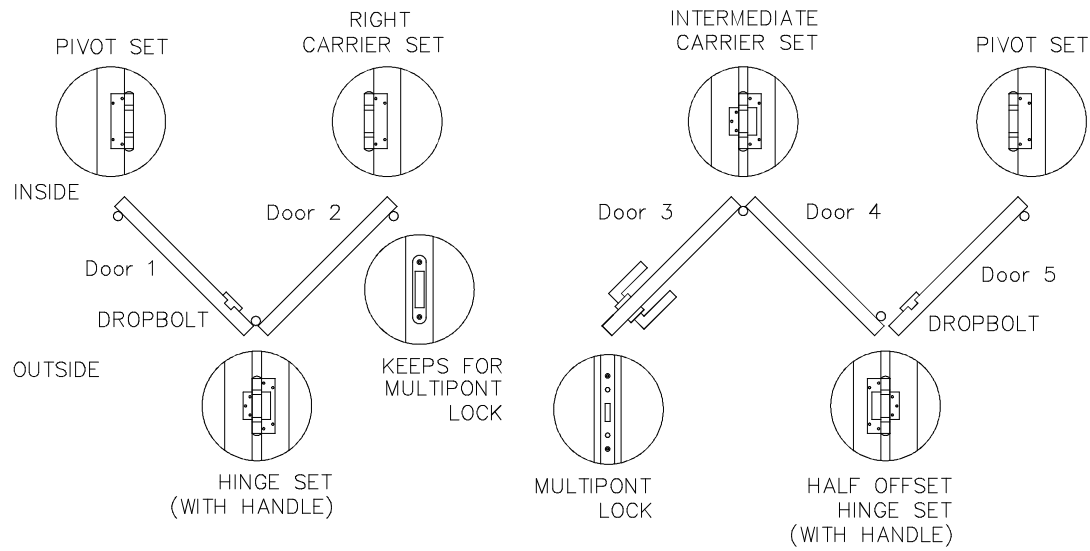
ITEM	QUANTITY
HANDLE PACK	1
HANDLE INSERTS	2
35 MULTIPONT LOCK (2 HOOKS,1 BOLT, 1 LATCH)	1
CENTRE KEEP	1
HOOK KEEPS	2

PACK 5 FIXING PACK

ITEM	QUANTITY
CANBERRA FIXING PACK	1

2L3R

Door Size: 3600mm x 2100mm
 Door and Hardware Arrangement: 2L 3R



PACK 1 DOORS

ITEM	QUANTITY
Door 1	1
Door 2	1
Door 3	1
Door 4	1
Door 5	1

PACK 2 FRAMING

ITEM	QUANTITY
HEAD ASSEMBLY	1
SILL ASSEMBLY	1
LEFT-HAND JAMB ASSEMBLY	1
RIGHT-HAND JAMB ASSEMBLY	1

PACK 3 DOOR HARDWARE

ITEM	QUANTITY
PIVOT SET	2
HINGE SET (WITH HANDLE)	1
HALF OFFSET HINGE SET (WITH HANDLE)	1
INTERMEDIATE CARRIER SET	1
RIGHT CARRIER SET	1
DROPBOLT (KEYED)	2
DROPBOLT (NON-KEYED)	2

PACK 4 HARDWARE PACK

ITEM	QUANTITY
HANDLE PACK	1
HANDLE INSERTS	2
35 MULTIPONT LOCK (2 HOOKS,1 BOLT, 1 LATCH)	1
CENTRE KEEP	1
HOOK KEEPS	2

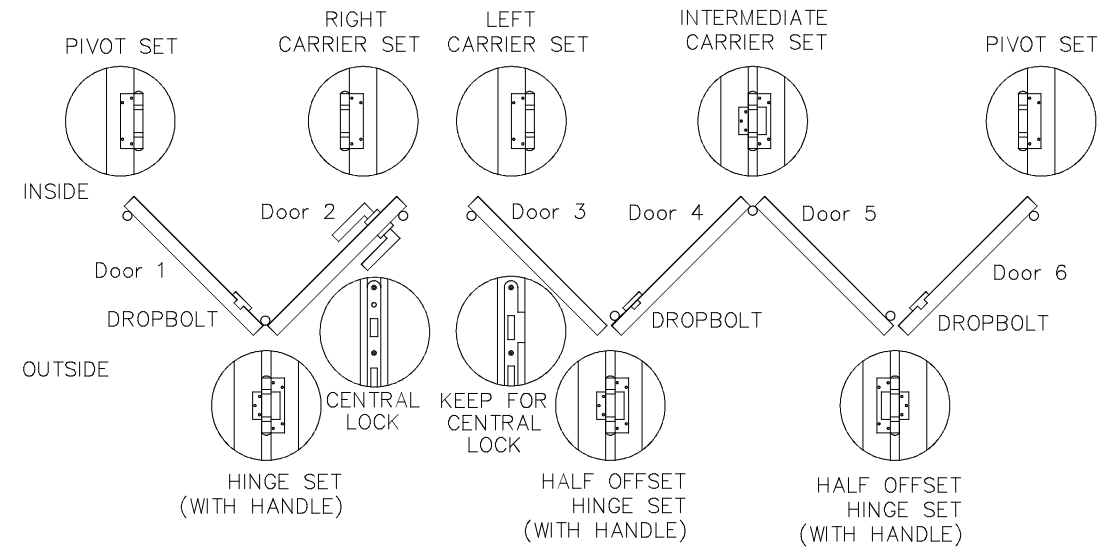
PACK 5 FIXING PACK

ITEM	QUANTITY
CANBERRA FIXING PACK	1

2L4R

Door Size: 4200mm x 2100mm
 Door and Hardware Arrangement: 2L 4R

Note:
 Supplied with thumb turn cylinder multi-point lock.
 For operational security this can be locked from the inside only.



PACK 1 DOORS

ITEM	QUANTITY
Door 1	1
Door 2	1
Door 3	1
Door 4	1
Door 5	1
Door 6	1

PACK 2 FRAMING

ITEM	QUANTITY
HEAD ASSEMBLY	1
SILL ASSEMBLY	1
LEFT-HAND JAMB ASSEMBLY	1
RIGHT-HAND JAMB ASSEMBLY	1

PACK 3 DOOR HARDWARE

ITEM	QUANTITY
PIVOT SET	2
HINGE SET (WITH HANDLE)	1
HALF OFFSET HINGE SET (WITH HANDLE)	2
INTERMEDIATE CARRIER SET	1
RIGHT CARRIER SET	1
LEFT CARRIER SET	1
DROPBOLT (KEYED)	3
DROPBOLT (NON-KEYED)	3

PACK 4 HARDWARE PACK

ITEM	QUANTITY
HANDLE PACK	1
HANDLE INSERTS	2
35 MULTIPONT LOCK (2 HOOKS,1 BOLT, 1 LATCH)	1
CENTRE KEEP	1
HOOK KEEPS	2

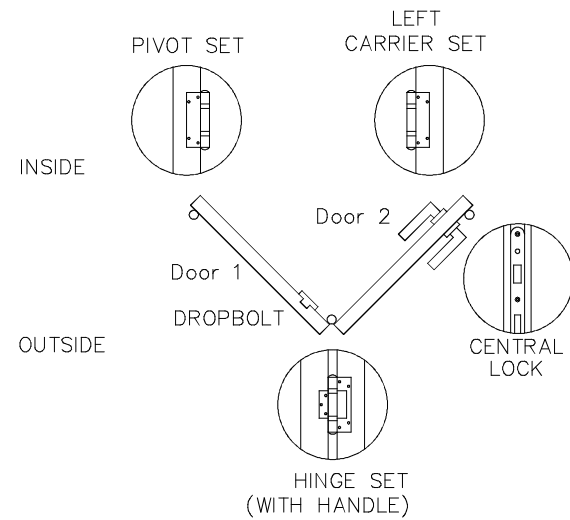
PACK 5 FIXING PACK

ITEM	QUANTITY
CANBERRA FIXING PACK	1

2R

Door Size: 1800mm x 2100mm
 Door and Hardware Arrangement: 2R

Note:
 Supplied with thumb turn cylinder multi-point lock.
 For operational security this can be locked from the inside only.



PACK 1 DOORS

ITEM	QUANTITY
Door 1	1
Door 2	1

PACK 2 FRAMING

ITEM	QUANTITY
HEAD ASSEMBLY	1
SILL ASSEMBLY	1
LEFT-HAND JAMB ASSEMBLY	1
RIGHT-HAND JAMB ASSEMBLY	1

PACK 3 DOOR HARDWARE

ITEM	QUANTITY
PIVOT SET	1
HINGE SET (WITH HANDLE)	1
LEFT CARRIER SET	1
DROPBOLT (KEYED)	1
DROPBOLT (NON-KEYED)	1

PACK 4 HARDWARE PACK

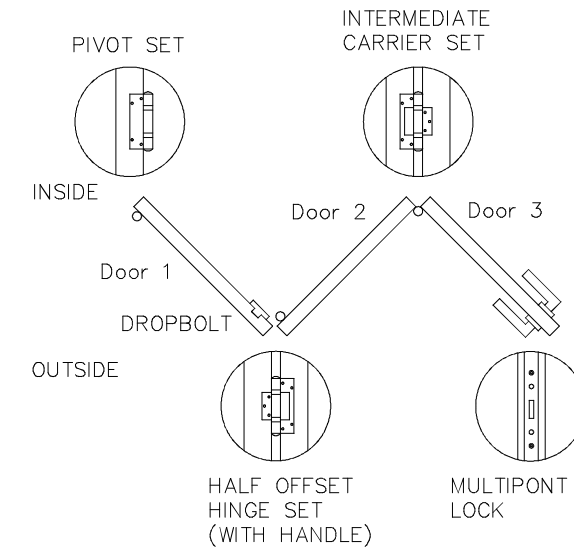
ITEM	QUANTITY
HANDLE PACK	1
HANDLE INSERTS	2
35 MULTIPOINT LOCK (2 HOOKS,1 BOLT, 1 LATCH)	1
CENTRE KEEP	1
HOOK KEEPS	2

PACK 5 FIXING PACK

ITEM	QUANTITY
CANBERRA FIXING PACK	1

3L

Door Size: 2100mm (&2400mm) x 2100mm
 Door and Hardware Arrangement: 3L



PACK 1 DOORS

ITEM	QUANTITY
Door 1	1
Door 2	1
Door 3	1

PACK 2 FRAMING

ITEM	QUANTITY
HEAD ASSEMBLY	1
SILL ASSEMBLY	1
LEFT-HAND JAMB ASSEMBLY	1
RIGHT-HAND JAMB ASSEMBLY	1

PACK 3 DOOR HARDWARE

ITEM	QUANTITY
PIVOT SET	1
HALF OFFSET HINGE SET (WITH HANDLE)	1
INTERMEDIATE CARRIER SET	1
DROPBOLT (KEYED)	1
DROPBOLT (NON-KEYED)	1

PACK 4 HARDWARE PACK

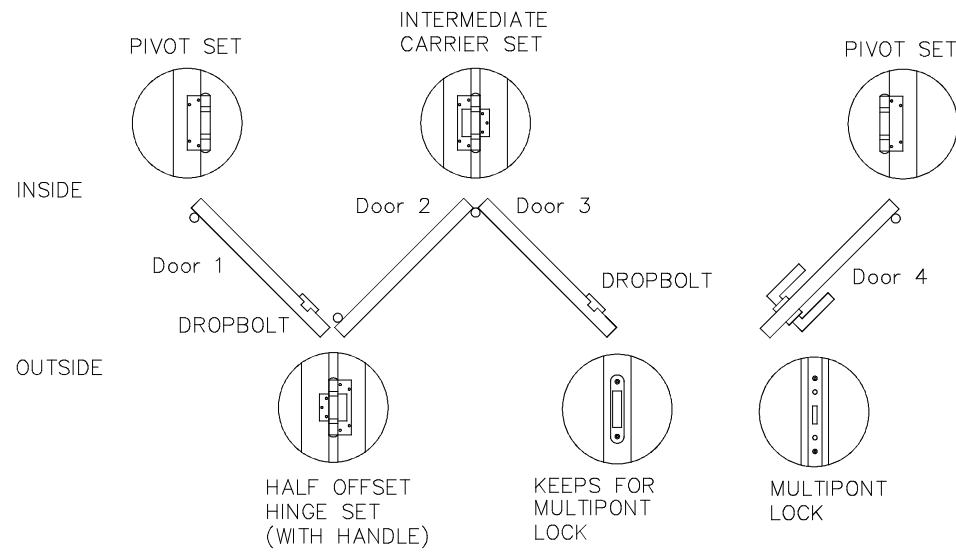
ITEM	QUANTITY
HANDLE PACK	1
HANDLE INSERTS	2
35 MULTIPOINT LOCK (2 HOOKS,1 BOLT, 1 LATCH)	1
CENTRE KEEP	1
HOOK KEEPS	2

PACK 5 FIXING PACK

ITEM	QUANTITY
CANBERRA FIXING PACK	1

3L1R

Door Size: 3000mm x 2100mm
 Door and Hardware Arrangement: 3L 1R



PACK 1 DOORS

ITEM	QUANTITY
Door 1	1
Door 2	1
Door 3	1
Door 4	1

PACK 2 FRAMING

ITEM	QUANTITY
HEAD ASSEMBLY	1
SILL ASSEMBLY	1
LEFT-HAND JAMB ASSEMBLY	1
RIGHT-HAND JAMB ASSEMBLY	1

PACK 3 DOOR HARDWARE

ITEM	QUANTITY
PIVOT SET	2
HALF OFFSET HINGE SET (WITH HANDLE)	1
INTERMEDIATE CARRIER SET	1
DROPBOLT (KEYED)	2
DROPBOLT (NON-KEYED)	2

PACK 4 HARDWARE PACK

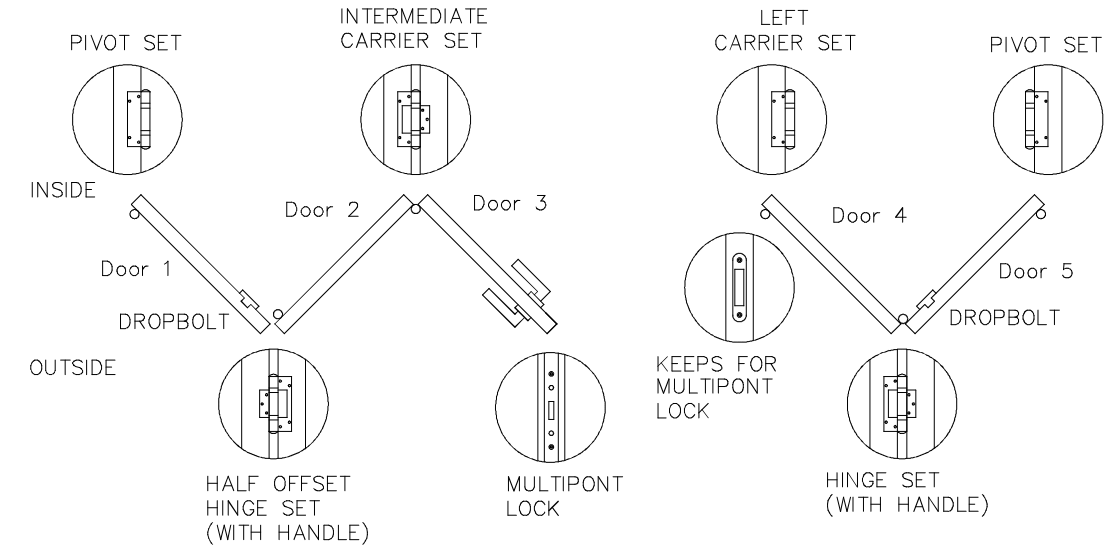
ITEM	QUANTITY
HANDLE PACK	1
HANDLE INSERTS	2
35 MULTIPONT LOCK (2 HOOKS, 1 BOLT, 1 LATCH)	1
CENTRE KEEP	1
HOOK KEEPS	2

PACK 5 FIXING PACK

ITEM	QUANTITY
CANBERRA FIXING PACK	1

3L2R

Door Size: 3600mm x 2100mm
 Door and Hardware Arrangement: 3L 2R



PACK 1 DOORS

ITEM	QUANTITY
Door 1	1
Door 2	1
Door 3	1
Door 4	1
Door 5	1

PACK 2 FRAMING

ITEM	QUANTITY
HEAD ASSEMBLY	1
SILL ASSEMBLY	1
LEFT-HAND JAMB ASSEMBLY	1
RIGHT-HAND JAMB ASSEMBLY	1

PACK 3 DOOR HARDWARE

ITEM	QUANTITY
PIVOT SET	2
HINGE SET (WITH HANDLE)	1
HALF OFFSET HINGE SET (WITH HANDLE)	1
INTERMEDIATE CARRIER SET	1
LEFT CARRIER SET	1
DROPBOLT (KEYED)	2
DROPBOLT (NON-KEYED)	2

PACK 4 HARDWARE PACK

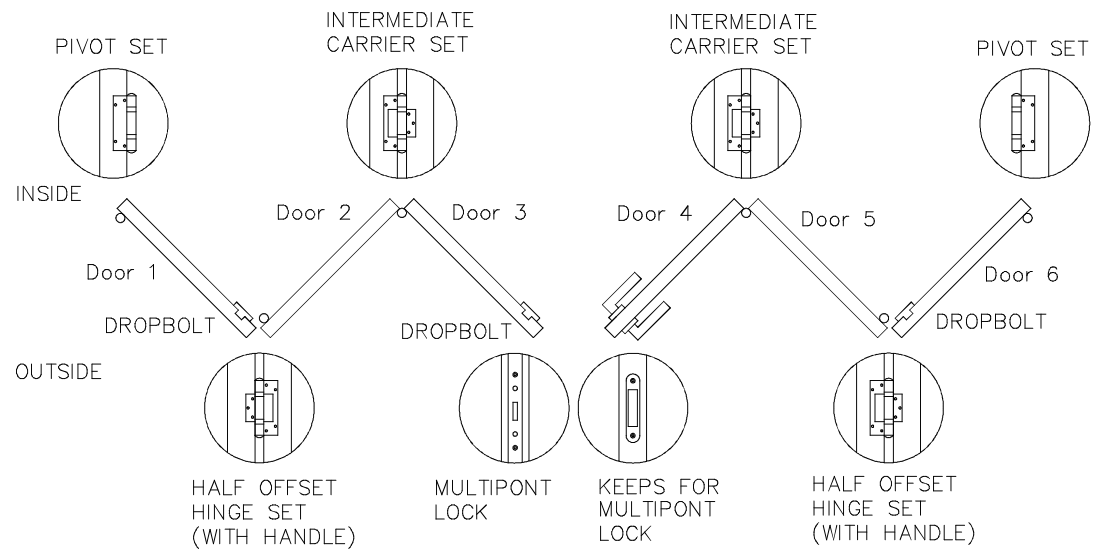
ITEM	QUANTITY
HANDLE PACK	1
HANDLE INSERTS	2
35 MULTIPONT LOCK (2 HOOKS, 1 BOLT, 1 LATCH)	1
CENTRE KEEP	1
HOOK KEEPS	2

PACK 5 FIXING PACK

ITEM	QUANTITY
CANBERRA FIXING PACK	1

3L3R

Door Size: 4200mm x 2100mm
 Door and Hardware Arrangement: 3L 3R



PACK 1 DOORS

ITEM	QUANTITY
Door 1	1
Door 2	1
Door 3	1
Door 4	1
Door 5	1
Door 6	1

PACK 2 FRAMING

ITEM	QUANTITY
HEAD ASSEMBLY	1
SILL ASSEMBLY	1
LEFT-HAND JAMB ASSEMBLY	1
RIGHT-HAND JAMB ASSEMBLY	1

PACK 3 DOOR HARDWARE

ITEM	QUANTITY
PIVOT SET	2
HALF OFFSET HINGE SET (WITH HANDLE)	2
INTERMEDIATE CARRIER SET	2
DROPBOLT (KEYED)	3
DROPBOLT (NON-KEYED)	3

PACK 4 HARDWARE PACK

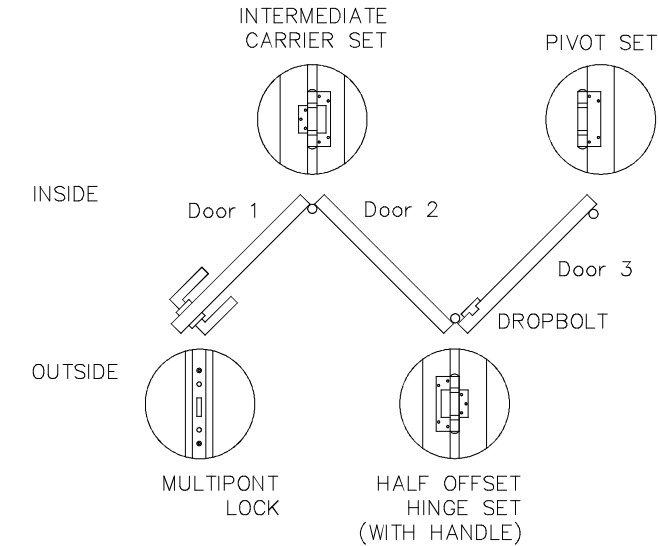
ITEM	QUANTITY
HANDLE PACK	1
HANDLE INSERTS	2
35 MULTIPONT LOCK (2 HOOKS,1 BOLT, 1 LATCH)	1
CENTRE KEEP	1
HOOK KEEPS	2

PACK 5 FIXING PACK

ITEM	QUANTITY
CANBERRA FIXING PACK	1

3R

Door Size: 2100mm (&2400mm) x 2100mm
 Door and Hardware Arrangement: 3R



PACK 1 DOORS

ITEM	QUANTITY
Door 1	1
Door 2	1
Door 3	1

PACK 2 FRAMING

ITEM	QUANTITY
HEAD ASSEMBLY	1
SILL ASSEMBLY	1
LEFT-HAND JAMB ASSEMBLY	1
RIGHT-HAND JAMB ASSEMBLY	1

PACK 3 DOOR HARDWARE

ITEM	QUANTITY
PIVOT SET	1
HALF OFFSET HINGE SET (WITH HANDLE)	1
INTERMEDIATE CARRIER SET	1
DROPBOLT (KEYED)	1
DROPBOLT (NON-KEYED)	1

PACK 4 HARDWARE PACK

ITEM	QUANTITY
HANDLE PACK	1
HANDLE INSERTS	2
35 MULTIPONT LOCK (2 HOOKS,1 BOLT, 1 LATCH)	1
CENTRE KEEP	1
HOOK KEEPS	2

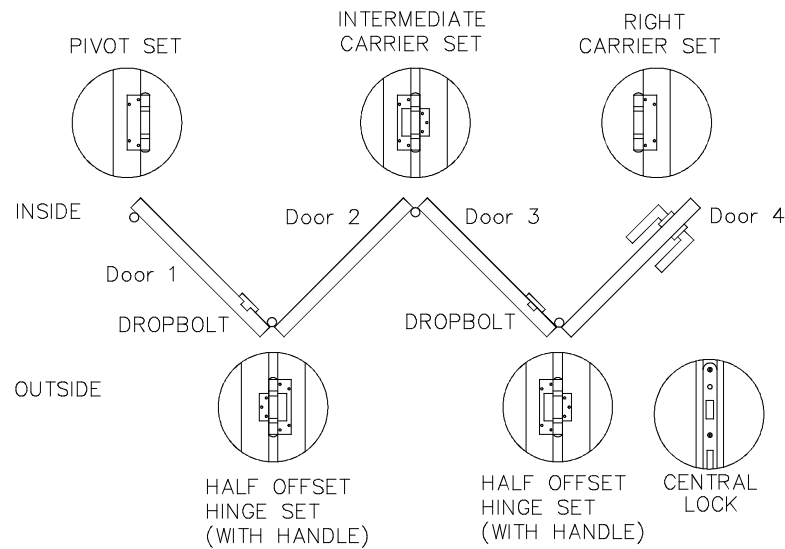
PACK 5 FIXING PACK

ITEM	QUANTITY
CANBERRA FIXING PACK	1

4L

Door Size: 3000mm x 2100mm
Door and Hardware Arrangement: 4L

Note:
Supplied with thumb turn cylinder multi-point lock.
For operational security this can be locked from the inside only.



PACK 1 DOORS

ITEM	QUANTITY
Door 1	1
Door 2	1
Door 3	1
Door 4	1

PACK 2 FRAMING

ITEM	QUANTITY
HEAD ASSEMBLY	1
SILL ASSEMBLY	1
LEFT-HAND JAMB ASSEMBLY	1
RIGHT-HAND JAMB ASSEMBLY	1

PACK 3 DOOR HARDWARE

ITEM	QUANTITY
PIVOT SET	1
HALF OFFSET HINGE SET (WITH HANDLE)	2
INTERMEDIATE CARRIER SET	1
RIGHT CARRIER SET	1
DROPBOLT (KEYED)	2
DROPBOLT (NON-KEYED)	2

PACK 4 HARDWARE PACK

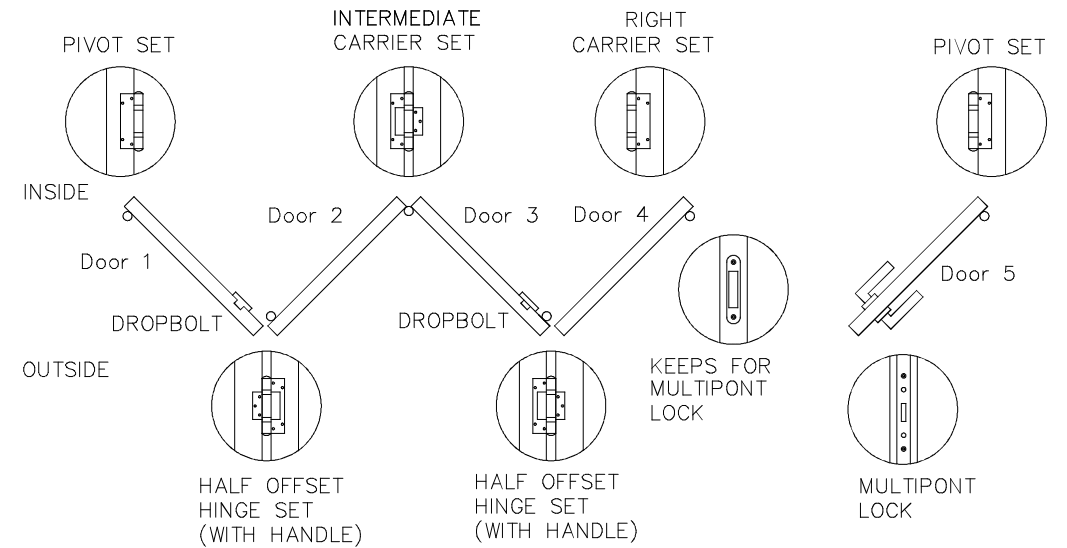
ITEM	QUANTITY
HANDLE PACK	1
HANDLE INSERTS	2
35 MULTIPONT LOCK (2 HOOKS,1 BOLT, 1 LATCH)	1
CENTRE KEEP	1
HOOK KEEPS	2

PACK 5 FIXING PACK

ITEM	QUANTITY
CANBERRA FIXING PACK	1

4L1R

Door Size: 3600mm x 2100mm
Door and Hardware Arrangement: 4L 1R



PACK 1 DOORS

ITEM	QUANTITY
Door 1	1
Door 2	1
Door 3	1
Door 4	1
Door 5	1

PACK 2 FRAMING

ITEM	QUANTITY
HEAD ASSEMBLY	1
SILL ASSEMBLY	1
LEFT-HAND JAMB ASSEMBLY	1
RIGHT-HAND JAMB ASSEMBLY	1

PACK 3 DOOR HARDWARE

ITEM	QUANTITY
PIVOT SET	2
HALF OFFSET HINGE SET (WITH HANDLE)	2
INTERMEDIATE CARRIER SET	1
RIGHT CARRIER SET	1
DROPBOLT (KEYED)	2
DROPBOLT (NON-KEYED)	2

PACK 4 HARDWARE PACK

ITEM	QUANTITY
HANDLE PACK	1
HANDLE INSERTS	2
35 MULTIPONT LOCK (2 HOOKS,1 BOLT, 1 LATCH)	1
CENTRE KEEP	1
HOOK KEEPS	2

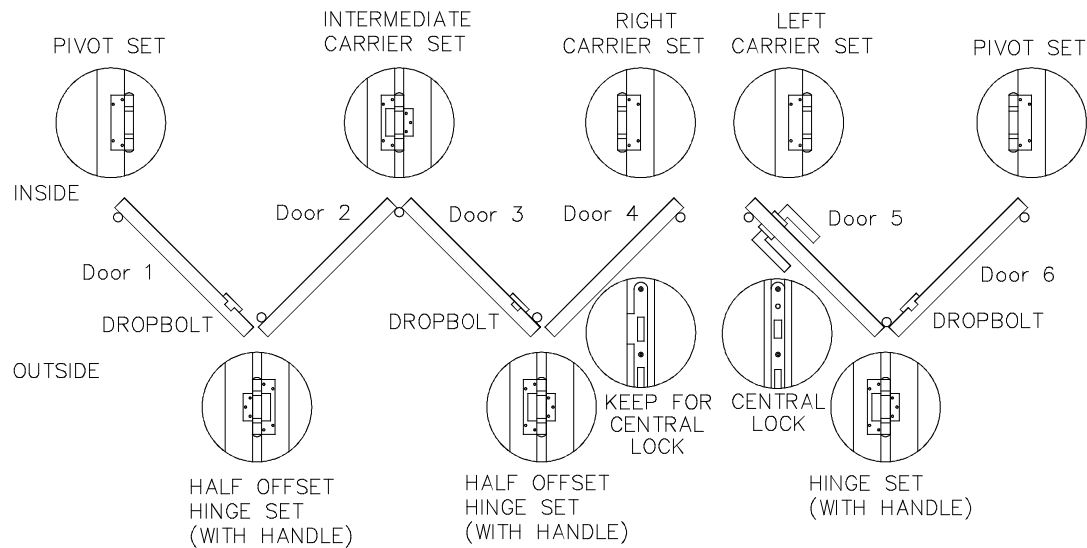
PACK 5 FIXING PACK

ITEM	QUANTITY
CANBERRA FIXING PACK	1

4L2R

Door Size: 4200mm x 2100mm
Door and Hardware Arrangement: 4L 2R

Note:
Supplied with thumb turn cylinder multi-point lock.
For operational security this can be locked from the inside only.



PACK 1 DOORS

ITEM	QUANTITY
Door 1	1
Door 2	1
Door 3	1
Door 4	1
Door 5	1
Door 6	1

PACK 2 FRAMING

ITEM	QUANTITY
HEAD ASSEMBLY	1
SILL ASSEMBLY	1
LEFT-HAND JAMB ASSEMBLY	1
RIGHT-HAND JAMB ASSEMBLY	1

PACK 3 DOOR HARDWARE

ITEM	QUANTITY
PIVOT SET	2
HINGE SET (WITH HANDLE)	1
HALF OFFSET HINGE SET (WITH HANDLE)	2
INTERMEDIATE CARRIER SET	1
RIGHT CARRIER SET	1
LEFT CARRIER SET	1
DROPBOLT (KEYED)	3
DROPBOLT (NON-KEYED)	3

PACK 4 HARDWARE PACK

ITEM	QUANTITY
HANDLE PACK	1
HANDLE INSERTS	2
35 MULTIPOINT LOCK (2 HOOKS,1 BOLT, 1 LATCH)	1
CENTRE KEEP	1
HOOK KEEPS	2

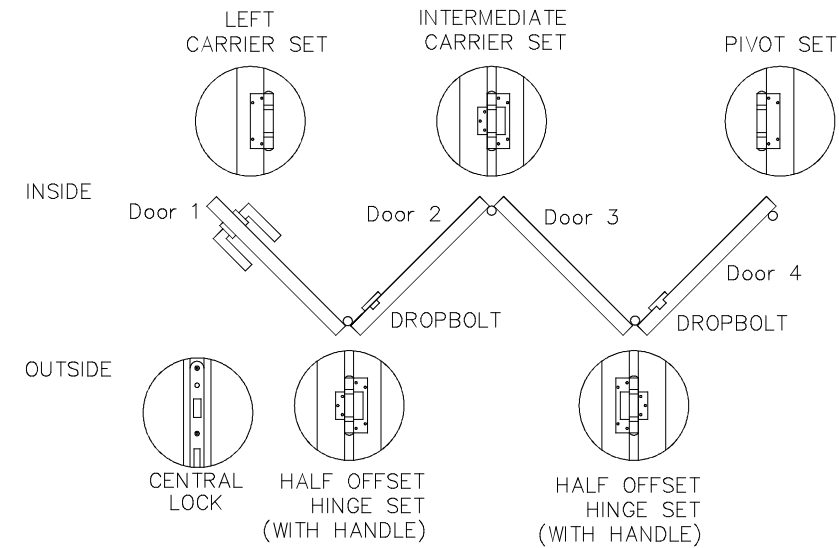
PACK 5 FIXING PACK

ITEM	QUANTITY
CANBERRA FIXING PACK	1

4R

Door Size: 3000mm x 2100mm
Door and Hardware Arrangement: 4R

Note:
Supplied with thumb turn cylinder multi-point lock.
For operational security this can be locked from the inside only.



PACK 1 DOORS

ITEM	QUANTITY
Door 1	1
Door 2	1
Door 3	1
Door 4	1

PACK 2 FRAMING

ITEM	QUANTITY
HEAD ASSEMBLY	1
SILL ASSEMBLY	1
LEFT-HAND JAMB ASSEMBLY	1
RIGHT-HAND JAMB ASSEMBLY	1

PACK 3 DOOR HARDWARE

ITEM	QUANTITY
PIVOT SET	1
HALF OFFSET HINGE SET (WITH HANDLE)	2
INTERMEDIATE CARRIER SET	1
LEFT CARRIER SET	1
DROPBOLT (KEYED)	2
DROPBOLT (NON-KEYED)	2

PACK 4 HARDWARE PACK

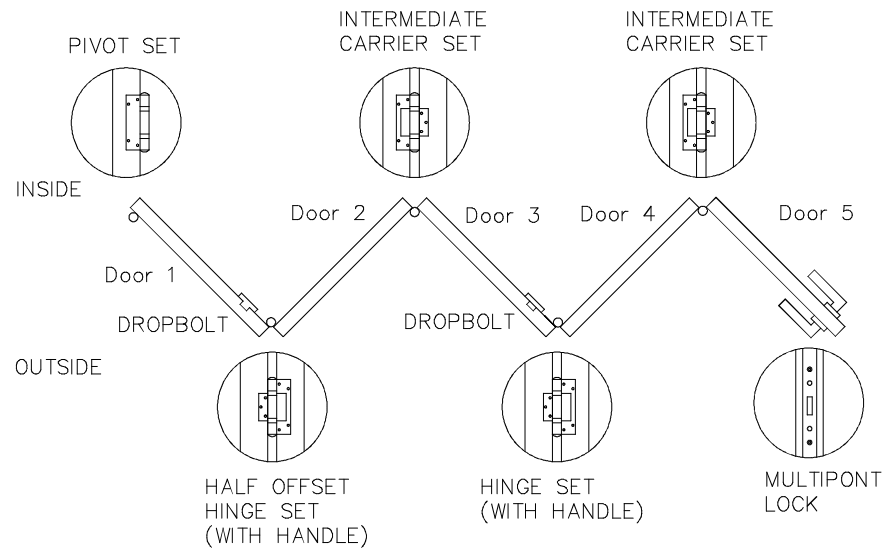
ITEM	QUANTITY
HANDLE PACK	1
HANDLE INSERTS	2
35 MULTIPOINT LOCK (2 HOOKS,1 BOLT, 1 LATCH)	1
CENTRE KEEP	1
HOOK KEEPS	2

PACK 5 FIXING PACK

ITEM	QUANTITY
CANBERRA FIXING PACK	1

5L

Door Size: 3600mm x 2100mm
Door and Hardware Arrangement: 5L



PACK 1 DOORS

ITEM	QUANTITY
Door 1	1
Door 2	1
Door 3	1
Door 4	1
Door 5	1

PACK 2 FRAMING

ITEM	QUANTITY
HEAD ASSEMBLY	1
SILL ASSEMBLY	1
LEFT-HAND JAMB ASSEMBLY	1
RIGHT-HAND JAMB ASSEMBLY	1

PACK 3 DOOR HARDWARE

ITEM	QUANTITY
PIVOT SET	1
HINGE SET (WITH HANDLE)	1
HALF OFFSET HINGE SET (WITH HANDLE)	1
INTERMEDIATE CARRIER SET	2
DROPBOLT (KEYED)	2
DROPBOLT (NON-KEYED)	2

PACK 4 HARDWARE PACK

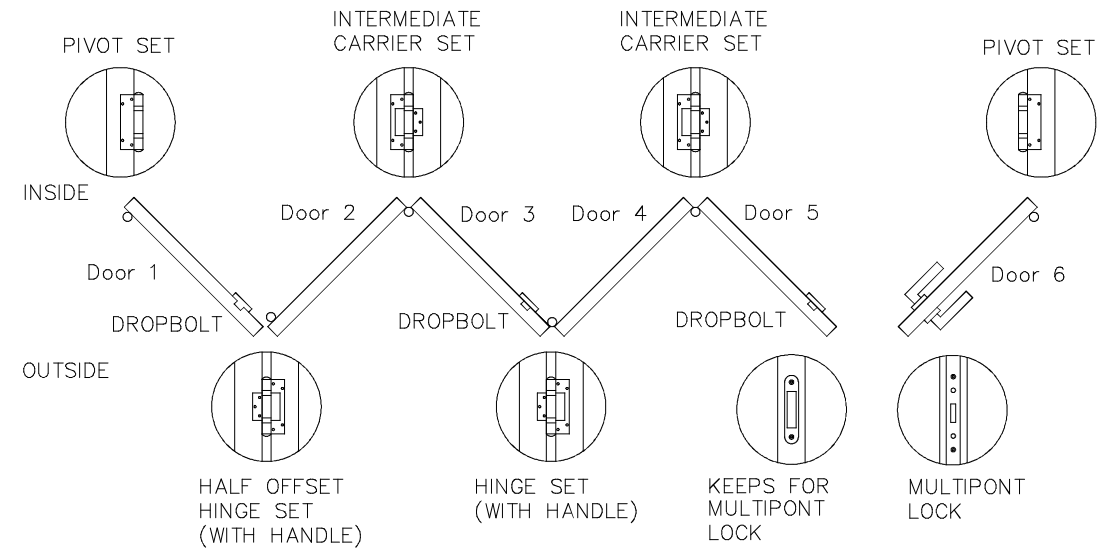
ITEM	QUANTITY
HANDLE PACK	1
HANDLE INSERTS	2
35 MULTIPONT LOCK (2 HOOKS, 1 BOLT, 1 LATCH)	1
CENTRE KEEP	1
HOOK KEEPS	2

PACK 5 FIXING PACK

ITEM	QUANTITY
CANBERRA FIXING PACK	1

5L1R

Door Size: 4200mm (&4800mm) x 2100mm
Door and Hardware Arrangement: 5L 1R



PACK 1 DOORS

ITEM	QUANTITY
Door 1	1
Door 2	1
Door 3	1
Door 4	1
Door 5	1
Door 6	1

PACK 2 FRAMING

ITEM	QUANTITY
HEAD ASSEMBLY	1
SILL ASSEMBLY	1
LEFT-HAND JAMB ASSEMBLY	1
RIGHT-HAND JAMB ASSEMBLY	1

PACK 3 DOOR HARDWARE

ITEM	QUANTITY
PIVOT SET	2
HINGE SET (WITH HANDLE)	1
HALF OFFSET HINGE SET (WITH HANDLE)	1
INTERMEDIATE CARRIER SET	2
DROPBOLT (KEYED)	3
DROPBOLT (NON-KEYED)	3

PACK 4 HARDWARE PACK

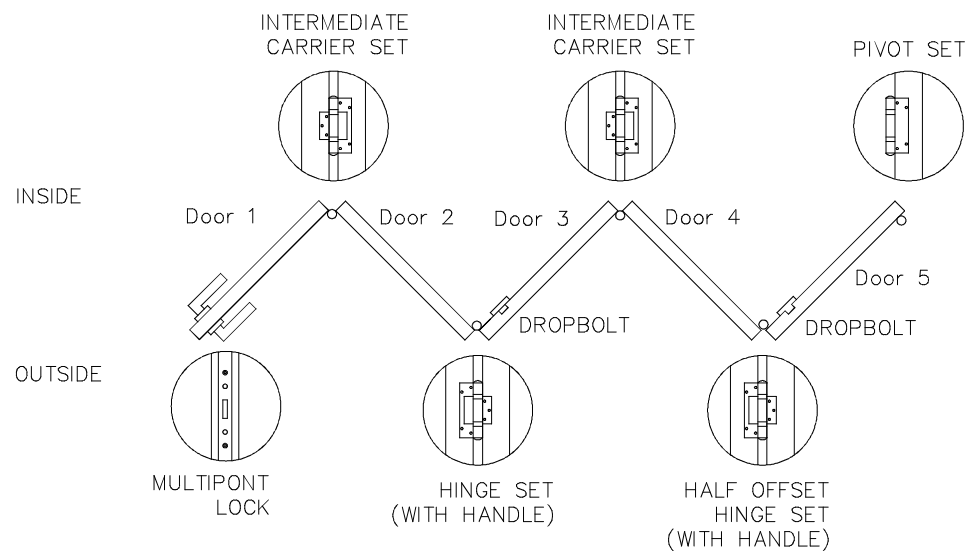
ITEM	QUANTITY
HANDLE PACK	1
HANDLE INSERTS	2
35 MULTIPONT LOCK (2 HOOKS, 1 BOLT, 1 LATCH)	1
CENTRE KEEP	1
HOOK KEEPS	2

PACK 5 FIXING PACK

ITEM	QUANTITY
CANBERRA FIXING PACK	1

5R

Door Size: 3600mm x 2100mm
 Door and Hardware Arrangement: 5R



PACK 1 DOORS

ITEM	QUANTITY
Door 1	1
Door 2	1
Door 3	1
Door 4	1
Door 5	1

PACK 2 FRAMING

ITEM	QUANTITY
HEAD ASSEMBLY	1
SILL ASSEMBLY	1
LEFT-HAND JAMB ASSEMBLY	1
RIGHT-HAND JAMB ASSEMBLY	1

PACK 3 DOOR HARDWARE

ITEM	QUANTITY
PIVOT SET	1
HINGE SET (WITH HANDLE)	1
HALF OFFSET HINGE SET (WITH HANDLE)	1
INTERMEDIATE CARRIER SET	2
DROPBOLT (KEYED)	2
DROPBOLT (NON-KEYED)	2

PACK 4 HARDWARE PACK

ITEM	QUANTITY
HANDLE PACK	1
HANDLE INSERTS	2
35 MULTIPPOINT LOCK (2 HOOKS, 1 BOLT, 1 LATCH)	1
CENTRE KEEP	1
HOOK KEEPS	2

PACK 5 FIXING PACK

ITEM	QUANTITY
CANBERRA FIXING PACK	1

7 Frame assembly

The assembly of your doorset is in two parts.

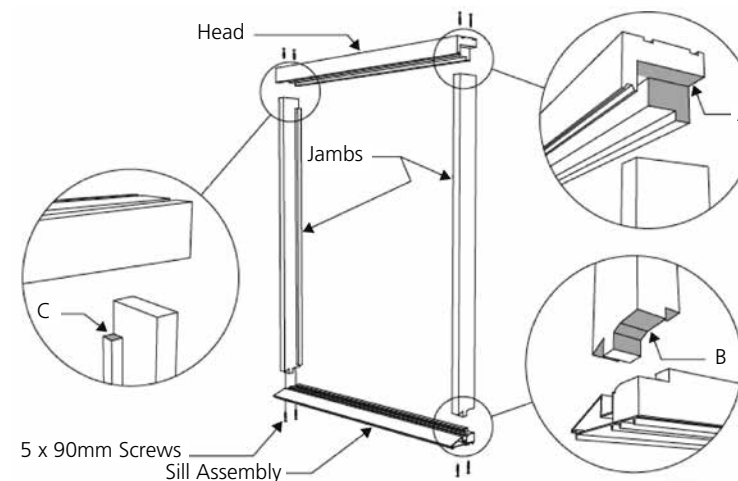
FRAME INSTALLATION; explains the assembly of the outer frame and its installation in the brickwork opening.

DOOR INSTALLATION; explains installing the door panels in to the outer frame. You MUST follow these instructions for correct assembly of your doorset. Failure to do so may result in incorrect assembly and may damage your doorset.

Frame assembly

The outer frame is supplied in four sub-assemblies. You must fix these together as explained below.

First apply the self adhesive foam pads to the Head and Jambs indicated in the diagram, A,B & C.



1: Head sub-assembly being fixed to the jamb sub-assemblies

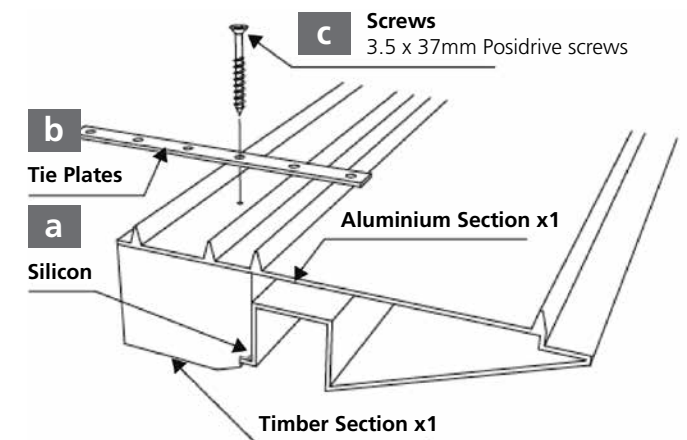
Fix both jambs to the Head section first.

Screwfix the jamb assemblies to the head assembly by passing the 5 x 90 wood screws through the pre-drilled holes in the head assembly and securing these into the corresponding pilot holes at the top of the jambs. Ensure that the sealing gasket fills the joints between the components.



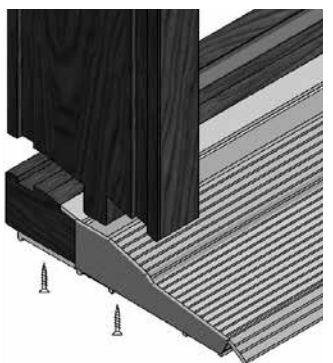
2: Installation ties secured to underside of sill

- a. A silicone bead should be applied continuously along the full length of the timber sill section. It should be applied to the face that is in direct contact with the aluminium (see diagram).
- b. Using a 3mm drill bit, drill a 25mm deep pilot hole through the underside of the aluminium sill and timber assembly. These holes should be 100mm, 250mm and 400mm from each end. The remaining length of sill in between then needs to be divided up in to equal sections, (no more than 400mm centres) and then pilot drilled in the same manner (see diagram).
- c. Secure the fixing ties to the underside of the frame using the 3.5 x 37mm screws at the prepared pilot hole positions. Ensure the screws are fully tightened in to the timber.



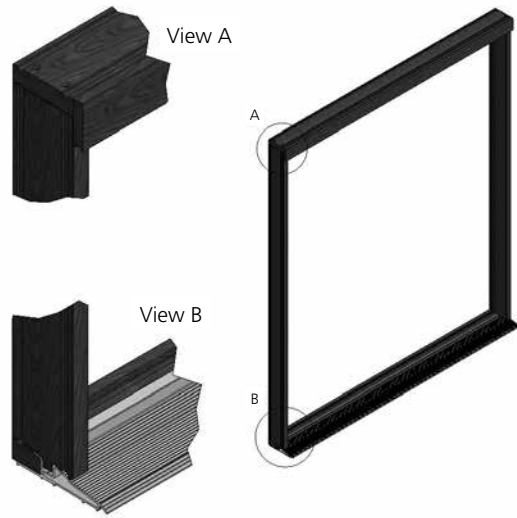
3: Sill sub-assembly being fixed to the jambs, on both sides

Screwfix the jamb assemblies to the sill assembly by fixing the 5 x 90 wood screws through the pre-drilled holes in the sill assembly and securing these into the corresponding pilot holes either side of the tenon at the bottom of the jambs. Ensure that the tenon on the bottom end of the jamb is correctly located into the channel in the sill and that the sealing gasket correctly fills the joint.



7 Frame assembly (continued)

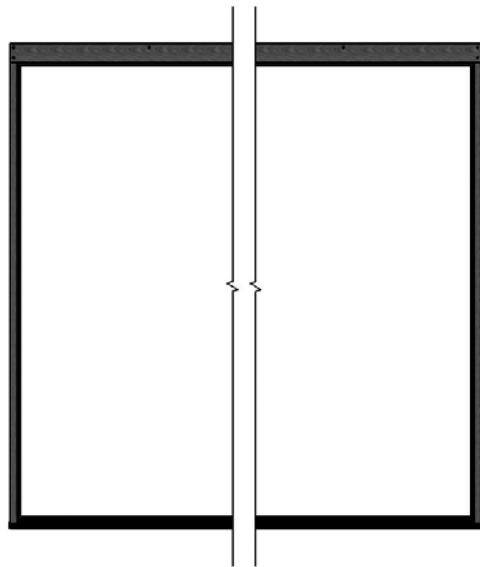
4: Fully assembled outer-frame



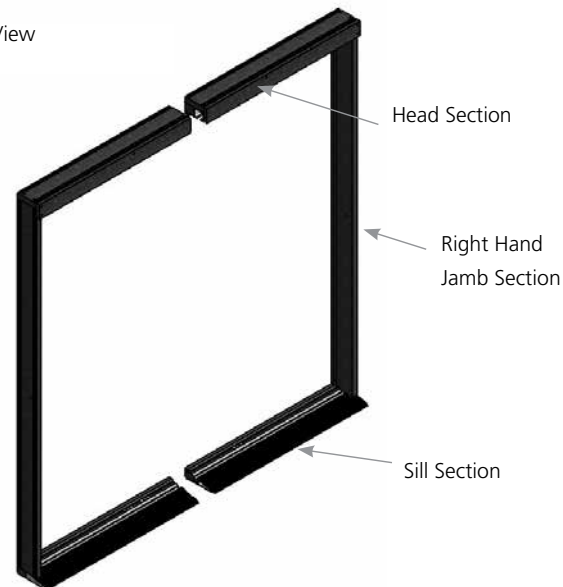
- At this stage you MUST make sure that;**
- All the sub-assemblies are fixed together tightly
 - The outer frame is a perfect 'Square'.
 - The diagonals of the outer frame MUST also be equal (Tolerance +/- 5mm).
 - If the diagonals are not equal (within tolerances), you MUST NOT proceed to the next step.

8 Fixing frame in opening

Front Elevation



Isometric View



8 Fixing frame in opening (continued)

Place the assembled frame into the brickwork opening.

Adjust the position of the frame so that there is approximately 10mm of brickwork exposed in front of the jambs. The head track should be approximately in-line with the middle of the external flange of the lintel.

Place a 5mm packer at each end only of the head, between the head and the lintel, above each jamb*. For each end, lift the jamb so that the 5mm packer is tight between the head and the lintel and fit packers underneath the sill to hold this position.

Using a spirit level to check the level of the sill fit packers underneath the sill at the each fixing tie. If the lintel is not level it may be necessary to adjust the packers between the head and the lintel to ensure that the sill is installed level.

Ensure the jambs are vertical and not leaning forward or back and fit packers between the jamb and the brickwork at the top and bottom of each jamb.

Check that the diagonals of the frame are within 5mm. If they are not adjust the packing between the jambs and the brickwork until the frame is correctly square.

With the frame temporarily held in place by the packers, and ensuring that the frame is not knocked out of position, drill 8mm diameter holes 50mm into the brickwork.

Insert the frame fixing bolts through the jambs and into the holes in the brickwork and tighten them ensuring the jambs are not distorted and remain vertical.

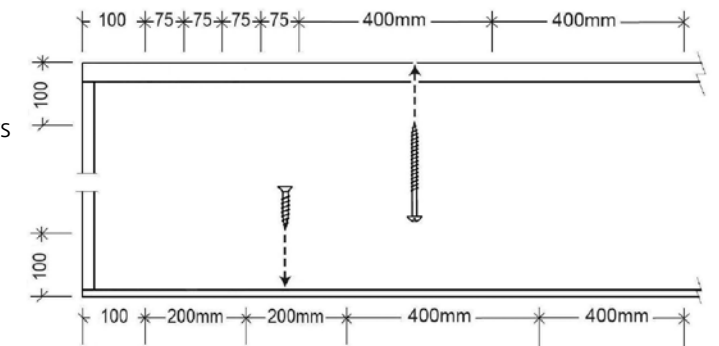
For each of the sill ties locate a suitable fixing point on internal masonry and drill for a plug. Plug and screwfix each of the sill ties ensuring the sill is not distorted and remains level.

Before fixing the head to the lintel check again that the sill is level and the jambs are vertical, that there is no distortion in the jambs or the sill and that the diagonals of the frame are within 5mm of each other.

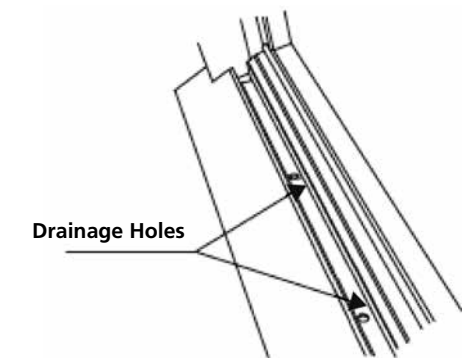
* This is to allow the head track to be correctly fixed when all fastenings are tightened as illustrated in point 7: 'Bow in the head section of the outer frame'.

Fix the outer frame to the brickwork

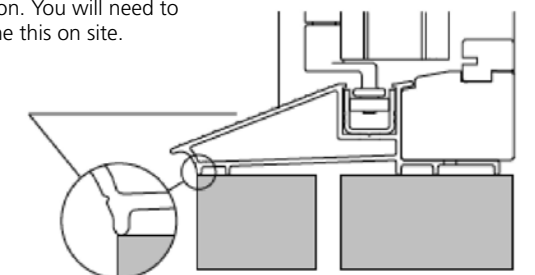
Fix the outer frame to the brickwork on all four sides according to the dimensions given below. On the jamb sides, add three further fixings at equal distances of around 500mm: Left hand end is shown. Fix right hand end at same positions.



DO NOT secure the sill by inserting screws through the drainage holes located in the bottom track.



Note: The sill drain positions are at the front edge circled below and must be kept clear of obstruction to allow free drainage. In certain refurbishment projects it may not be possible to position the sill exactly as shown. In this instance it is essential that drainage can occur following installation. You will need to determine this on site.



8 Fixing frame in opening (continued)

Method of fixing the head section to the lintel

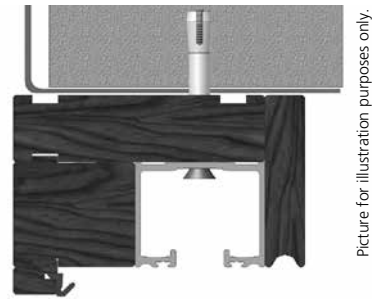
The inner face of the frame should now be overhanging the cavity by approximately 45mm. This will allow the track fixings to be central to the external flange of a steel lintel (where used).

Once the position of the frame is correct, ie. in the centre of the external flange of the lintel, pre-drill a 4mm diameter hole through the prepared holes in the head track. Using a drill bit at least 100mm in length will ensure the fixing screws penetrate the steel lintel.

Apply a bead of silicone to each fixing before insertion. This will resist water tracking down the fixing screws onto the head of the doorset.

Starting with the two outer holes nearest the jambs, assemble a nylon washer onto the screw and pass the screw up through the head and screw into the lintel. Tighten the screw until it is just pulling tight. **DO NOT FULLY TIGHTEN AT THIS STAGE.**

At a central fixing point lightly tighten the screw until the head is pulled close to the lintel.



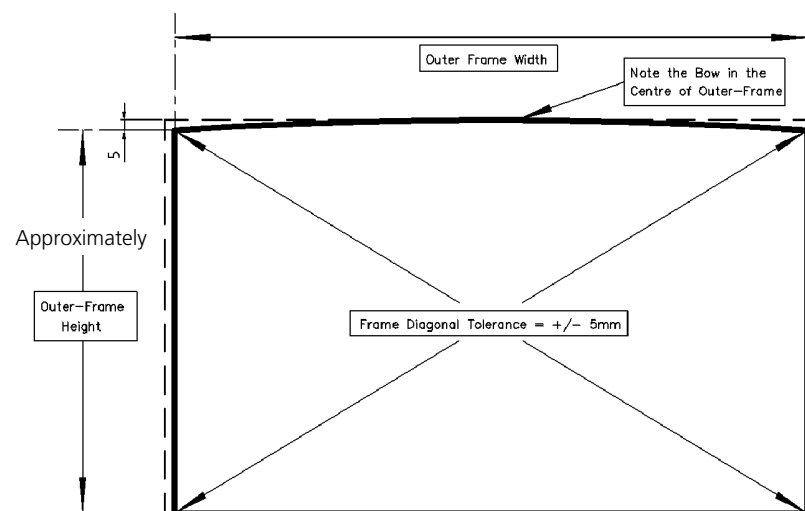
Picture for illustration purposes only.

Working from the jambs towards the middle of the head fit and lightly tighten, the remaining screws while placing varying thicknesses of packers between the head and the lintel to create a slight upwards curve to the head ranging from approximately 5mm at each jamb (depending on the level of the lintel) to zero at the middle.

Once the correct curve on the head has been achieved tighten the fixing screws. **DO NOT OVER TIGHTEN.**

Bow in the head section of the outer-frame

The 'Dotted' line represents the Brickwork and the 'Thick' line represents the outer-frame with a bow of approximately 5mm in the head section when correctly installed. This must be achieved by setting packers at the top of both jambs and then centre of head is screwed to the lintel. Refer to diagram on page 3.



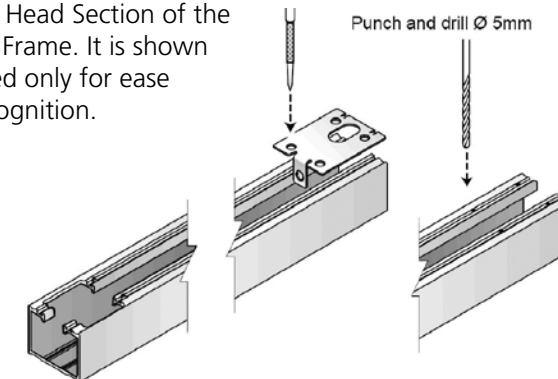
9 Door installation

Installing the door panels

All the door panels are supplied to you individually packed. They are coded and come with a sheet labelled 'Door & Hardware Arrangement Sheet'. This sheet explains the correct position of the hardware and correct position of each door panel in the final assembly. While installing the door panels, you **MUST** refer to this sheet for their correct position.

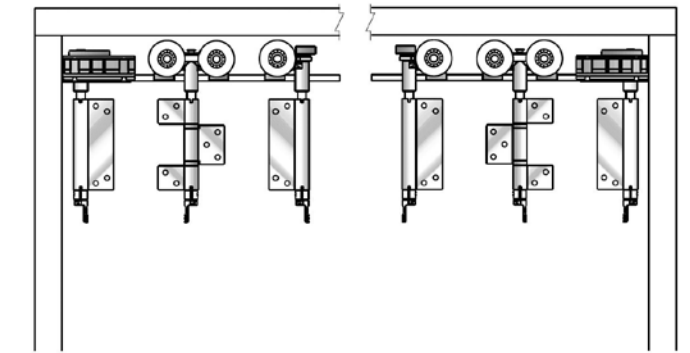
1) Prep the top channel in the head section of the outer-frame

This channel is already fixed to the Head Section of the Outer Frame. It is shown isolated only for ease of recognition.



3) Top carriers and pivot hinge fitted to head track

Depending upon the arrangement of the door panels in your door-set, you must insert all the hardware into the Top Channel in the correct order, before you start installing the Panels: You **MUST** refer to the 'Door & Hardware Arrangement Sheet' for correct arrangement of Door Hardware.



4) Assembly of end carrier hinge

The End Carriers (as shown (1) and 'Top Pivot Blocks' (2) are 'reversible' assemblies and can be adjusted for 'Left' or 'Right' hand door panel.

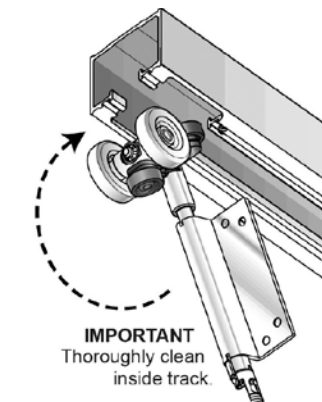


Fitting pivot hinges and carrier hinges

2) Fitting top carriers and pivot hinges into head track

Install all the Hardware in the Top Channel of the Outer-Frame according to the arrangement of panels for your doorset. This is represented in the "Door & Hardware Arrangement Sheet" that accompanies this Instruction Manual.

When inserting the Top Pivot Block, it is important to ensure the Cover Plate is held clear and is loose.



IMPORTANT
Thoroughly clean
inside track.

9 Door installation (continued)

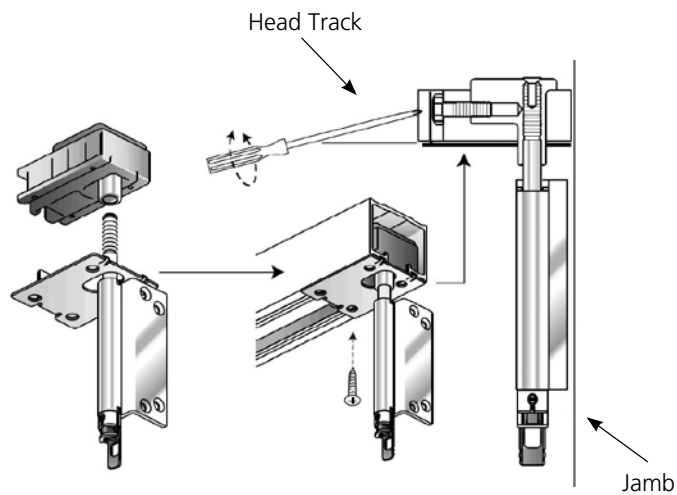
5) Fixing the wall pivot

Fix the wall pivot receiver in to the pre-bored hole in the centre of the frame jamb.



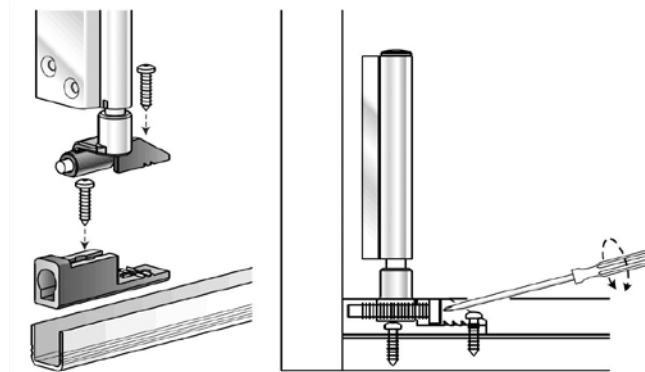
6) Fixing and adjusting the top pivot block

The top pivot block fit tightly against the jamb at the end of the head section.



7) Fixing and adjusting the bottom pivot blocks

The bottom pivot blocks sit inside the sill channel and fit tightly against the jambs at each end of the sill.



10 Hanging the door panels

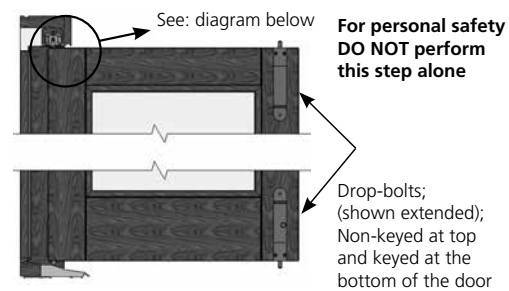
1) Fixing the wall pivot hinge

Fix the wall pivot hinge to the first door into the centre of the pre-drilled door edge (depending up on door configuration these are needed for each door hinged from the jamb).



2) Installing the first door panel to the outer frame assembly

Leave the drop-bolts retracted.



10 Hanging the door panels (continued)

3) Fixing hinge plate on the top pivot hinge

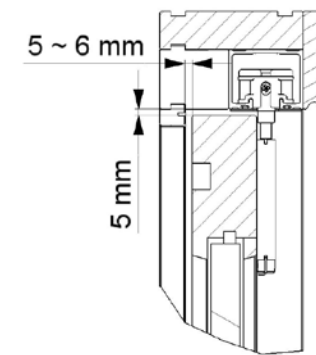
Fixing the first door panel to the top pivot block using prepared pilot holes on the door.

You MUST adjust the length and position of the weather-strip (cut between hinges), when hanging the doors.



4) Cross-sectional view from 'side':

The clearance between the head track and the top rail of the door panel is 5mm. The clearance between the head stop and the door panel is between 5mm and 6mm.

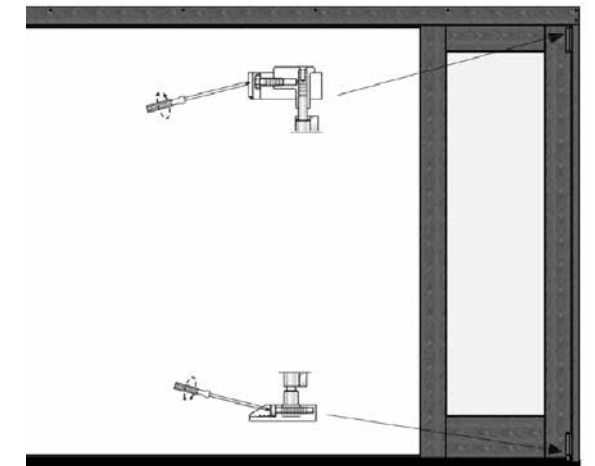


5) Adjustment of top and bottom pivot hinges

View from outside: Adjust top and bottom pivot blocks BEFORE you continue adding further door panels to the assembly.

Top & Bottom Pivot Block Adjustment is necessary to set the door:

- a) perfectly vertical &
- b) for approx., 6mm clearance between the Door and the Jamb.



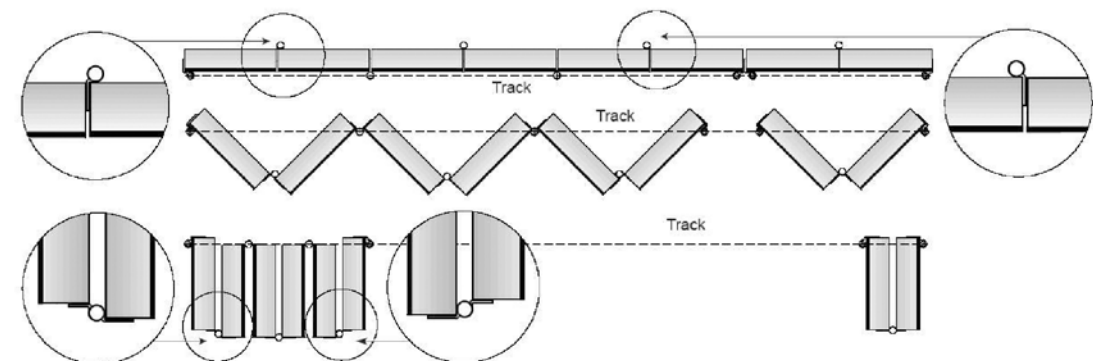
6) Fixing the wall pivot

Insert the centre pin into the wall pivot hinge and then into the wall pivot receiver in the frame jamb.

7) Arrangement of door panels

Now start adding further panels to the assembly. All the Door panels are pre-drilled for the correct position of the hinges. You MUST NOT drill any holes for the Hinges on the Door panels.

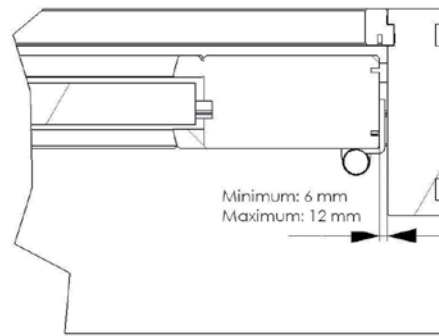
You MUST follow the illustrations on the "Door & Hardware Arrangement Sheet" for correct hardware to be used at the correct position on your door-set. Failing to do so will result in incorrect door assembly and may damage the door panels.



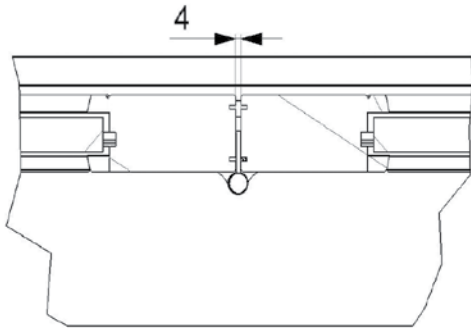
10 Hanging the door panels (continued)

8) Cross-sectional view from 'top':

The dimension between the first door panel and the Jamb, when correctly installed, should be 6mm prior to adjustment to give correct working clearance.

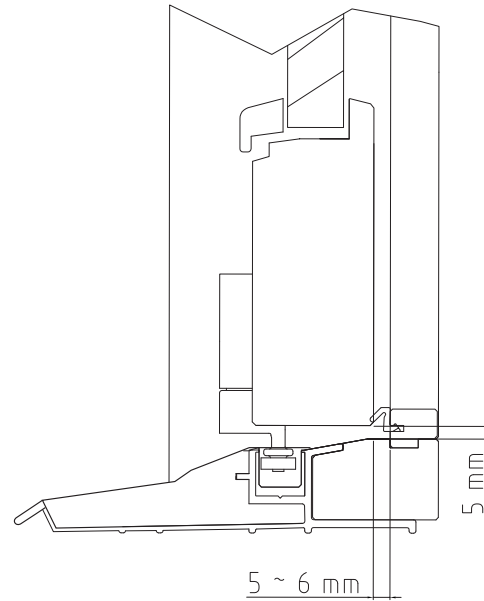


The dimension between any two door panels when installed should be 4mm.



9) Cross-sectional view from 'side':

The clearance measured at the back (inside) of the sill rebate between the sill and the underside of the door panel is 5mm.



11 Adjustment

Adjustments can be made to the top and bottom pivot hinges (next to the jambs) and to each carrier hinge located in the head track.

It is a principal of the Sliding Folding patio doorset that the greatest part of the door panel weight is taken by the carrier hinges and this is ensured by adjusting the end pivot hinges and the carrier hinges together.

The top and bottom pivot hinges can move a 'run' of hinged door panels a few millimetres left or right. This can be used to adjust the gap between a pair of 'meeting' door panels or to centralise all the door panels in the frame. Adjusting either the top or bottom pivot hinge separately can alter the angle of the first door panel and all panels hinged to it.

This can take the load away from the top carrier hinges and these must then be adjusted to support the load once more.

The top carrier hinges can be adjusted up and down to raise or lower the door panels fixed to them or to ensure that the carriers continue to support the weight of the door panels if the end pivot hinges have been adjusted separately.

If the frame is correctly installed then the clearances between pairs of door panels, door panels and the frame should be those given in the installation section.



Go to www.jeld-wen.co.uk for a video guide on installing your patio doorset or scan this QR code.

Adjusting the keeps

Lock Keeps

Centre lock keep turn both cams the same distance in opposing directions, to close the door tighter against its frame ensure the hook box is moving; towards the outside of the dwelling for open out, towards the inside of the dwelling for open in.

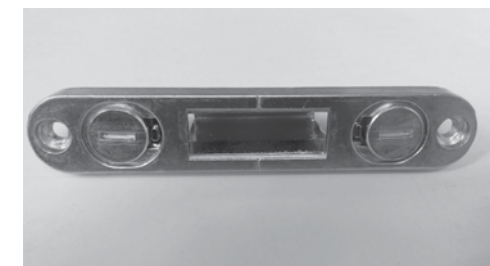
To achieve the opposite turns cams in reverse.



Top & bottom Hook keeps turn both cams the same distance in opposing directions, to close the door tighter against its frame ensure the hook box is moving towards the outside of the dwelling for open in. Ensure the hook box is moving towards the inside of the dwelling for open out.

To achieve the opposite turns cams in reverse.

IMPORTANT: Adjust Head and Sill and Lock keeps in small, even amounts to ensure door operates correctly.



Fitting the ventilators

Position the vent canopy, pre-drill holes to fix the canopy using the screws provided.

NOTE: If trickle vents are fitted, please note they are not designed to be fully air tight in the closed position.

12 Finishing & maintenance

Finishing:

After completing the installation of your doorset, check that all the fixings are secure and all the fixings are secure and all the specified dimensions achieved. It is vital for good operation and long life of your patio doorset.

Factory finished requires no further decoration other than touching up damage that may have occurred during installation.

Microporous paints are recommended for all exterior products. The manufacturers instructions should be followed 'low build' stains, varnishes and Danish Oil should **not** be used. Depending on the exposure and location, the paint finish will require recoating periodically. The product should be inspected annually and external faces repainted typically 3.5 years after the installation.

Maintenance:

These products must be installed in accordance with accepted good trade practise (and in accordance with supplied instructions where applicable) and maintained in accordance with these procedures or else the warranty shall become invalid.

Automatic closers and operators

All door hardware systems supplied are designed for manual operation only.

Hardware

If the building is subject to heavy use or from environmental attack from atmospheric weather conditions, maintenance of hardware is even more important especially in severe environments such as coastal marine areas and some industrial areas. Even stainless steel products require maintenance to prevent deterioration in some environments.

Track and bearings

Using a spatula or something similar, apply a small amount (typically 1/2 teaspoon) of lubricant to each side of the track. Making sure the wheels pass through the lubricant so that it spreads evenly through the tracks putting extra lubricant around the bearings. Adding lubricant in this way reduces wear, improves smoothness and gives additional protection against corrosion of track and bearings.

In addition, remove all surface contamination by wiping all visible track surfaces with a soft, damp cloth and mild detergent, then wipe with a clean cloth. In severe environments, apply a thin film of corrosive preventative and wipe with a clean cloth.

Stainless steel bearings are made from hardening grade stainless steel, although this material performs much better than plated steel, it can corrode unless it's maintained.

Hangers, pivots and brackets

A light spray application of a corrosion preventative followed by a light wipe with a dry cloth to remove excess is recommended to all hangers, pivots and brackets. Exposed surfaces should first be wiped down with warm soapy water and a soft rag, and then rinsed clean before applying preventative.

Dropbolts

Spray application of a suitable lubricant to the sliding pin inside the bolt and to the lock cylinder is recommended. A tube attached to the nozzle will help to concentrate the spray where you want it to go. There are access holes or slots on all dropbolt products so that this can be done without removing the locks from the doors.

13 Guarantees

In keeping with our quality policy, JELD-WEN offers the following guarantees on its products. These guarantees are subject to JELD-WEN UK Terms and Conditions of Sale. Defects that are caused in whole or in part by failure to adhere to JELD-WEN UK recommendations relating to storage, handling, installation, decoration, glazing and maintenance, are not covered by the guarantees below:



Exceptional wear and tear of hardware through extreme use is not covered. JELD-WEN will accept no responsibility for products cut down in size after receipt, or when utility or structural strength is impaired in fitting or application of hardware.

Hinges, aluminium rails and other hardware fitted must never be painted, and must be kept clean and lightly lubricated at all times. Use Vaseline or neutral oil. Keep rivets and moving parts lightly lubricated. Lubricate at least once a year, in coastal areas and/or places with high pollution, clean and lubricate more often.

All joinery shall be installed correctly in accordance with normal trade practices and adequately maintained in service.

The decorative finish applied to external joinery must be maintained in service and moisture must not be allowed to penetrate into the timber throughout its life.

Regular maintenance of the paint or stain finish of the product is essential for the long-term performance of all the components of your patio doorset. The period between maintenance checks will vary depending on the type of paint or stain finish and also the local conditions for the site. External joinery products must be cleaned at a maximum of six monthly intervals using a mild non-abrasive cleaner and soft cloth. Both internal and exterior faces should be cleaned.

Make regular checks to ensure that any drainage holes, channels and spaces are kept clear. Use a soft flexible brush or pipe cleaner with care to remove obstructions.

Annual inspection should be made and touching up carried out as necessary in areas of wear and tear (for example, exposed areas of sills or where the paint film has been breached).

Guarantees to the finished product are also on condition that:

- No physical or chemical damage to the doorset or coating has occurred
- No repairs or alterations to the surrounding buildings have occurred which are detrimental to the joinery performance.
- No failure of the coating has occurred caused by failure of ancillary products, or glazing.
- No damage to the coatings has occurred prior to, or during, installation.
- No damage to the coating has occurred, caused by bad maintenance of the building or poor design of the building.

14 Troubleshooting guide

My door doesn't lock:

Try the lock operation with the door open to check the mechanism is working correctly.

If no, check handle fitment.

If yes try the following steps:-

Adjust centre and hook keeps See section 11

Is Door leaf too low/high on its carriers?

Does the Lock line up with the Keeps?

Are doors completely shut or is track debris stopping them fully closing?

Are doors adjusted apart correctly? Refer to section 11 Adjustment



Alternatively
video
instructions
are available.

How do I adjust the door height or width?

Refer to section 9. Fitting the carrier and pivot hinges and section 11. Adjusting the doors

My doors don't slide/My doors drag on the sill

Check you have adjusted the height correctly

Check you have installed the frame correctly - is the sill bowed upwards? Is the head bowed down?

Check there are no obstructions in the tracks.

How often should I decorate my doors?

This will depend on the exposure environment of the location - severe industrial or maritime locations will require more frequent decoration than sheltered.

It is recommended that every six months you check the finish and wipe down all surfaces with a damp cloth.

Any signs of damage/wear to the finish will require redecoration. follow the instructions within this document

How often do I have to clean the hardware?

This will depend on the exposure environment of the location - severe industrial or maritime locations will require more frequent cleaning than sheltered. Follow the instructions within this document.

Do I need to clean the handles?

Yes build up of environmental deposits such as salt will damage the finish. A wipe down with a soft non abrasive cloth will be required, the frequency will depend on the location - maritime locations a minimum of once a month possibly more frequent.

Clashing doors - check that you have adjusted the width correctly, check you have not fitted the hinges over the weather seals. See section 11 Adjustment.

Doors 'gapping' on seals - check adjustment.

Doors 'walking back' after being fully folded - head track has not been sufficiently cambered.

Refer to section 8. Fixing the Head

Key won't turn in the lock - have you lifted the handle fully to lock? If unable to lift through the full range of movement - check adjustment and fitting of lock. See instructions for 'My door doesn't lock'.

Doors 'skip' when sliding back and forth - rollers are incorrectly adjusted.

Refer to section 9. Fitting the carrier and pivot hinges