

GRANGE

Interior Sliding Barn Doors

Silver Elegant Track

Fitting & Fixing Guidelines

www.curatedbyjeld-wen.co.uk

IMPORTANT All loads are taken by the top track to ensure smooth, light operation and long life. Prior to installing this doorset, inspect for damage and do not proceed to fit if any noticeable damage or defect is evident. This doorset should be stored in a dry flat location before installation.

CAUTION This product needs to be installed by a competent tradesperson with assistance. Two people are required to carry out the installation as some components are heavy. The track requires fixing to the supporting structure above the opening. The supporting structure **MUST** be capable of carrying the load in all conditions. Doors must not be trimmed.

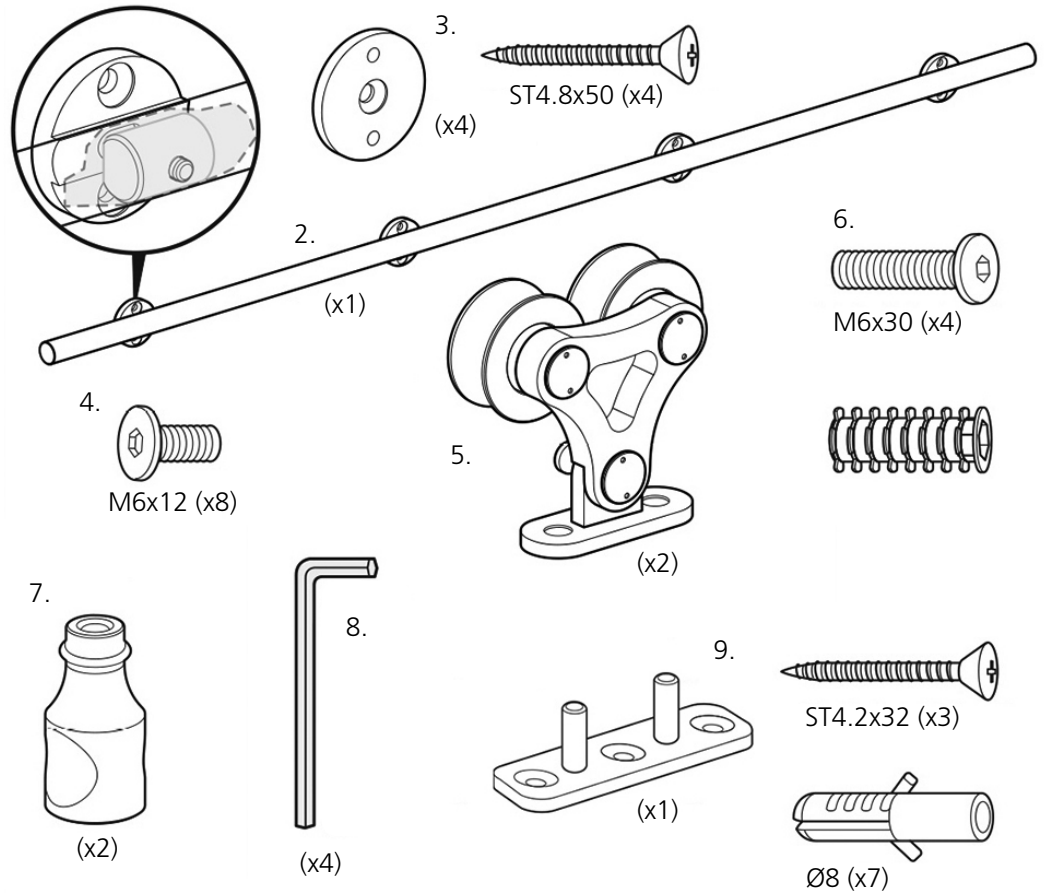


MIN 2 PERSON LIFT

CURATED
by **JELD WEN**

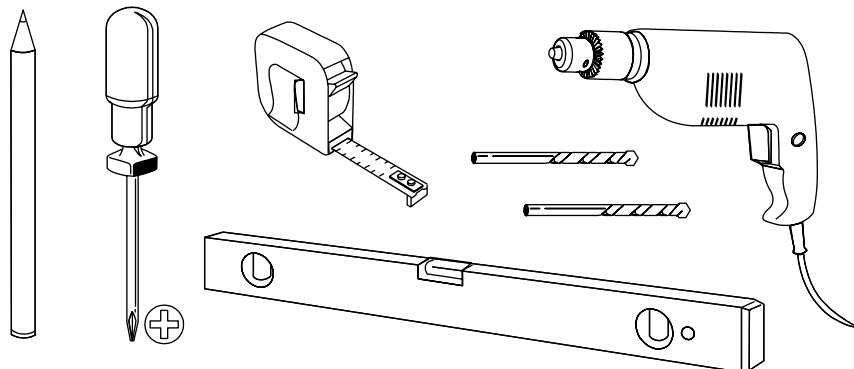
Pack contents

1. Sliding Barn door
2. 2 meter track
3. Track wall mounts including 50mm fixings and raw plugs (x4)
4. Small track mounting screws (x8)
5. Door hanger (x2)
6. 30mm hanger fixings with fixing plugs (x4)
7. Track door stops (x2)
8. Allen keys (x4)
9. Bottom door guide with fixings

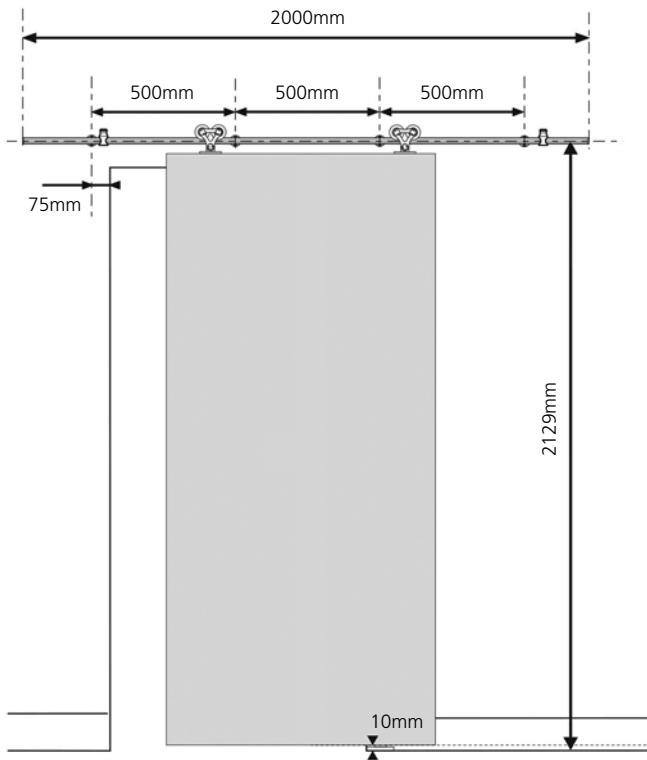


Tools required

- Pencil / Pen
- Philips screwdriver
- Spirit level
- Tape measure
- Electric drill (with 8mm drill bit)



1 Locating the track

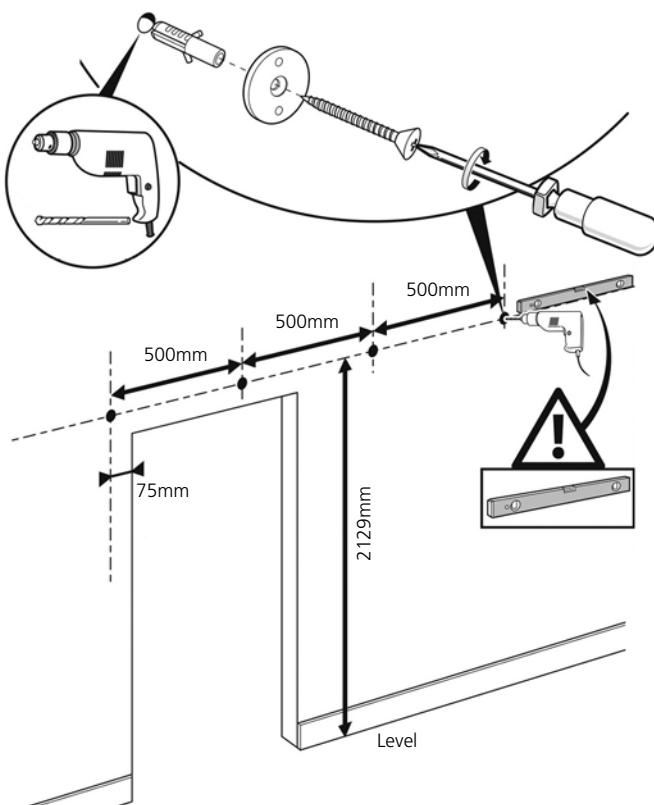


The track should be installed at 2129mm high, measuring from finished floor level, to the centre of the track.

This system can be installed for both right slide and left slide configurations.

This instructional guide shows a right slide system being installed.

For left slide installation please adjust accordingly.



The first track fixing hole should be positioned 75mm from the edge of the opening.

Position the track as shown in the diagram, and mark the location of the required track fixings.

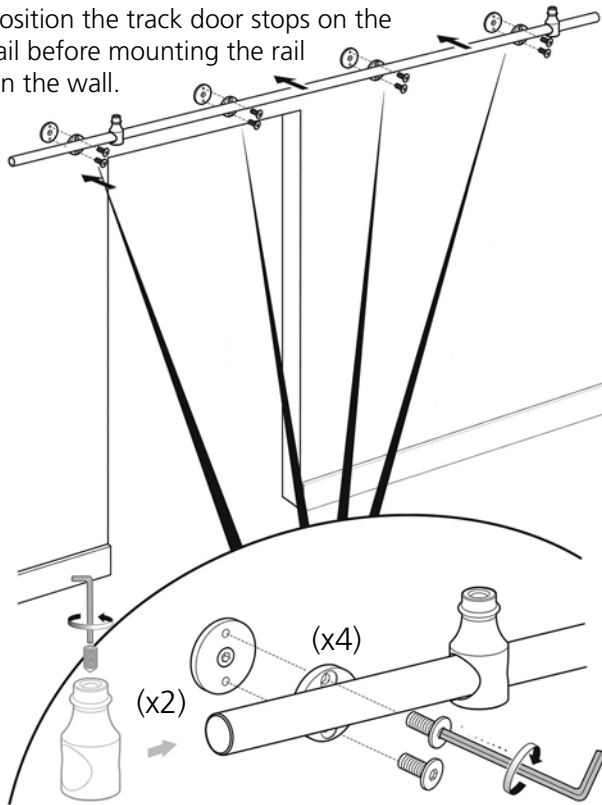
It is important that the track is installed level to ensure correct operation.

Drill for appropriate fixings to firmly secure the track wall mounts to the construction of wall being installed to.

Raw plugs are supplied for fixing to a masonry wall, however alternative fixings may be required depending upon wall construction.

2 Fixing the track

Position the track door stops on the rail before mounting the rail on the wall.



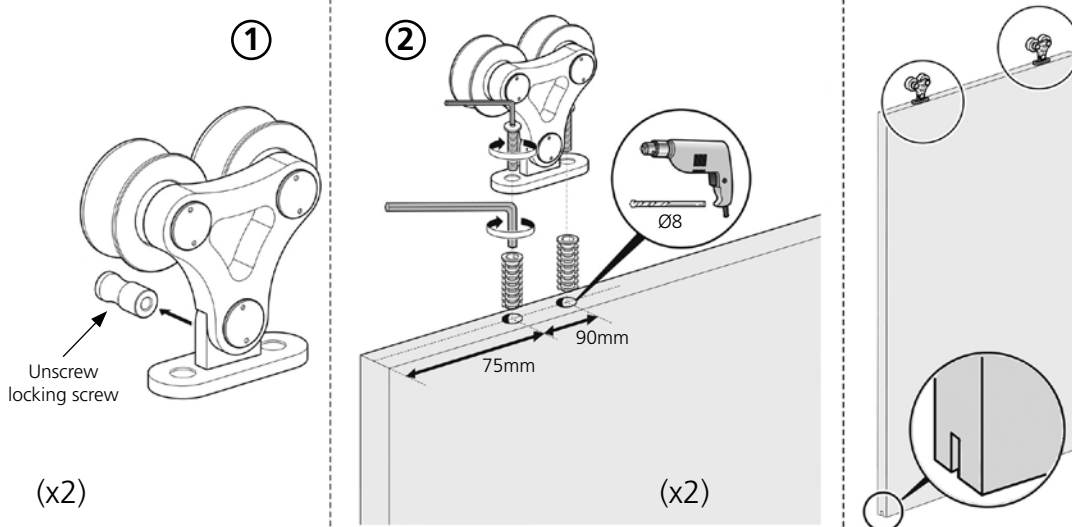
Attach the door stops to either end of the track. You will need to remove the mounting bracket from the track to position the closed side door stop.

The location of the door stops will be set at a later stage, once the door has been hung.

Fix the track to the wall mounts secured to the wall, using the mounting screws provided.

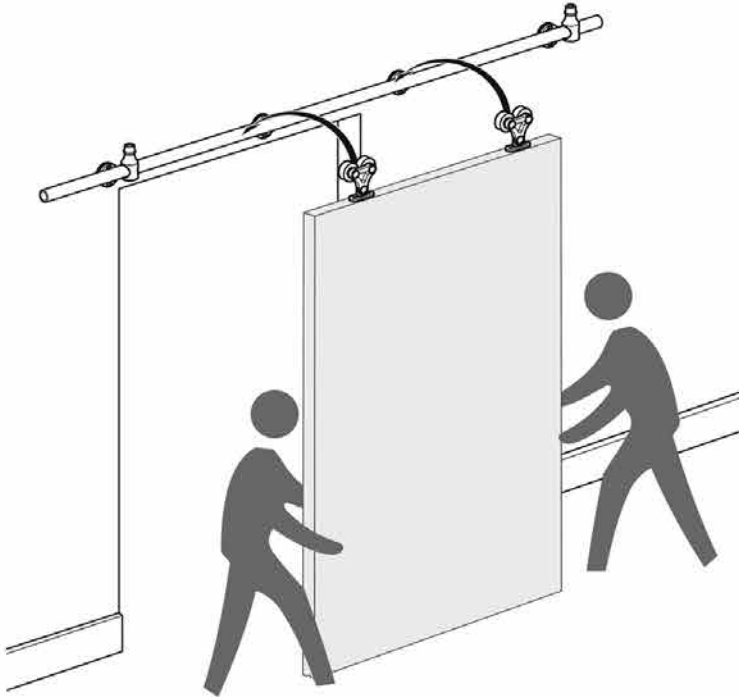
Ensure that the track is firmly fixed to the wall to safely hold the weight of the door.

3 Attaching the door hangers



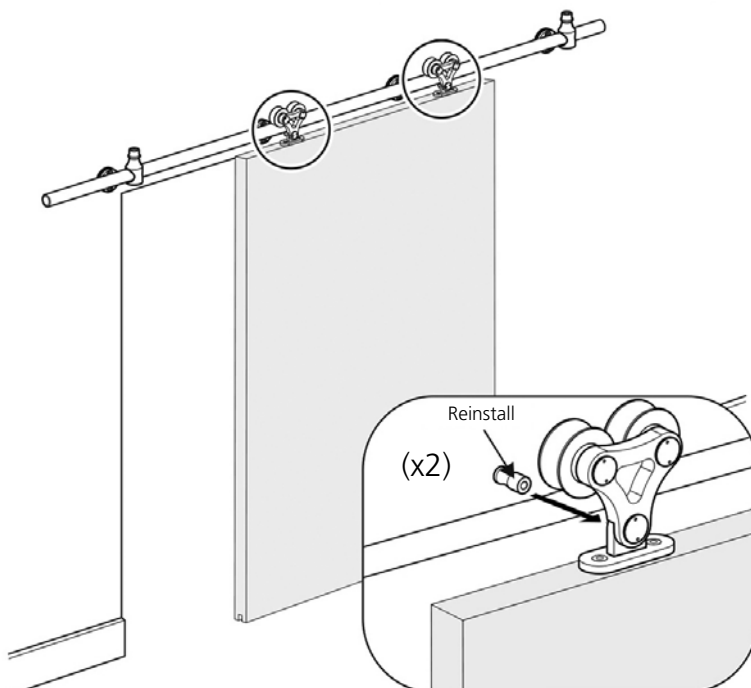
Unscrew the locking screw from the door hangers as shown, and put to one side to be fixed in place at a later stage. Drill 2x 8mm holes through the door, and screw the fixing plugs into the holes drilled, to secure the hangers to the top of the door.

4 Hanging the door



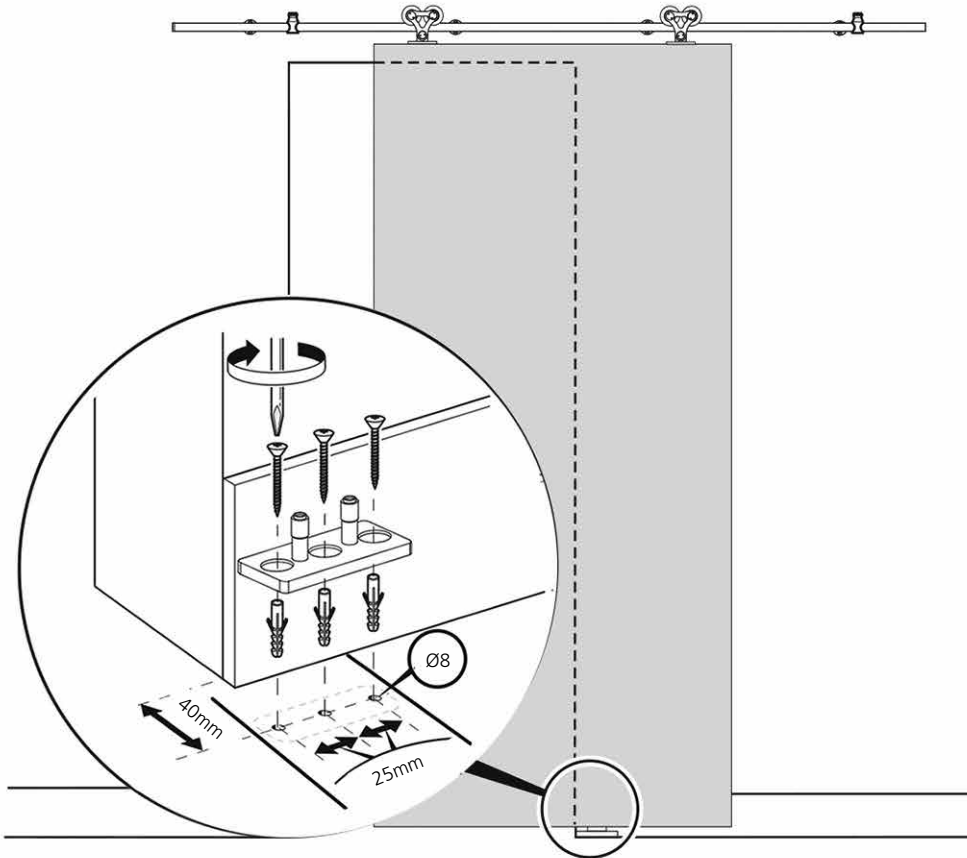
Once the door hangers are attached to the door, lift the door onto the track as shown in the diagram. We advise two people are required to carry out this installation.

5 Locking the rollers into position



Once the door has been hung on the track, ensure that both wheels are in contact with the track. Screw the locking screws back into position (as removed in step 3) to lock the hangers on to the track.

6 Fixing the bottom floor guide



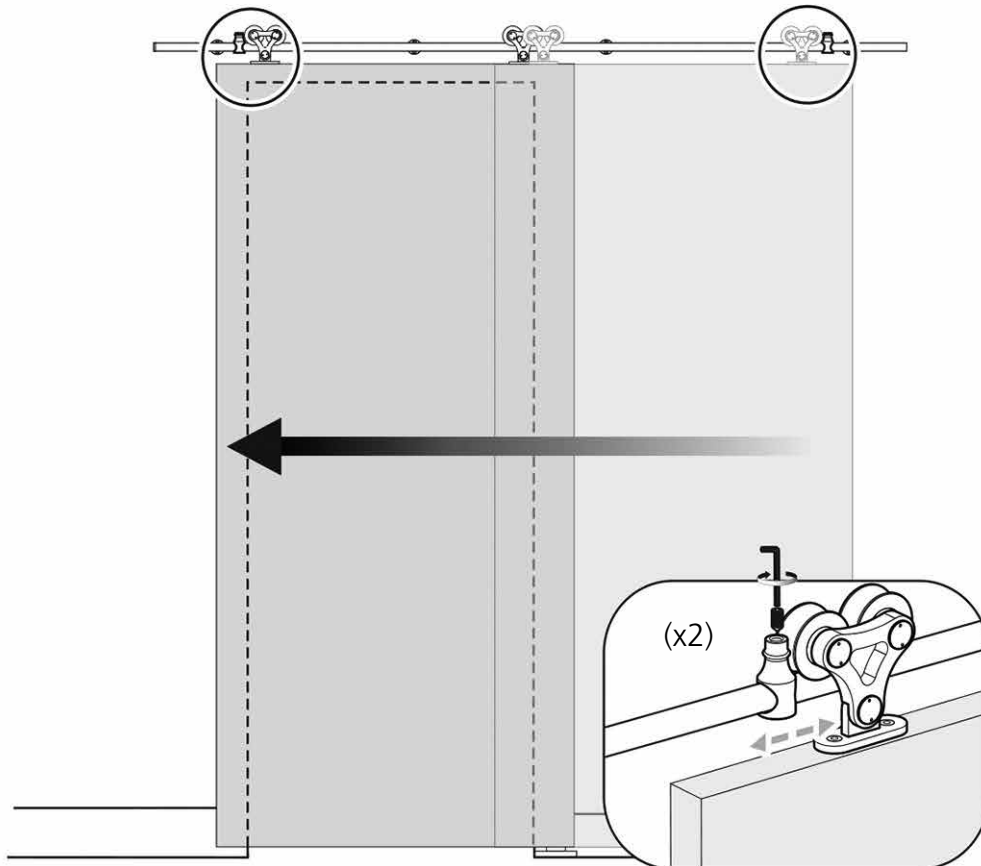
Once the door has been hung in position, the bottom floor guide will need to be fixed in place to prevent excessive movement.

Position the floor guide past the opening, as shown in the diagram.

The door will need to be in contact with the floor guide at all time during operation.

Floor fixings are provided; however, your requirements may vary based on the type of flooring that you have.

7 Setting the door stops



Slide the door centrally over the opening.

Move the closed side door stop into position and fix in place using the Allen key provided.

Slide the door into its fully open position, ensuring the bottom of the door is in contact with the bottom floor guide.

Move the opening side door stop into position and lock in place.

GRANGE

Interior Sliding Barn Doors

Black Industrial Track

Fitting & Fixing Guidelines

www.curatedbyjeld-wen.co.uk

IMPORTANT All loads are taken by the top track to ensure smooth, light operation and long life. Prior to installing this doorset, inspect for damage and do not proceed to fit if any noticeable damage or defect is evident. This doorset should be stored in a dry flat location before installation.

CAUTION This product needs to be installed by a competent tradesperson with assistance. Two people are required to carry out the installation as some components are heavy. The track requires fixing to the supporting structure above the opening. The supporting structure **MUST** be capable of carrying the load in all conditions. Doors must not be trimmed.



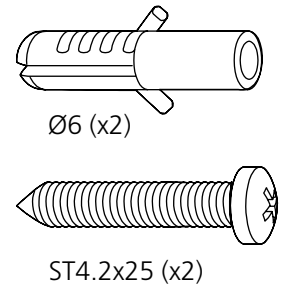
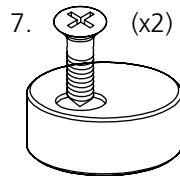
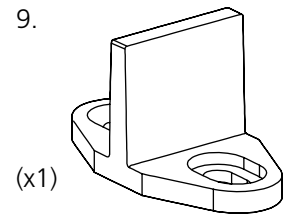
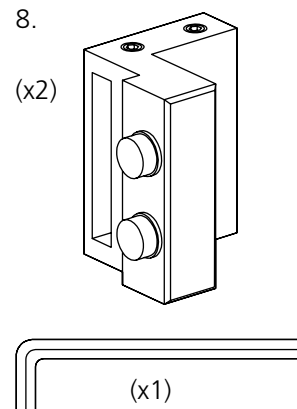
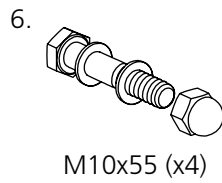
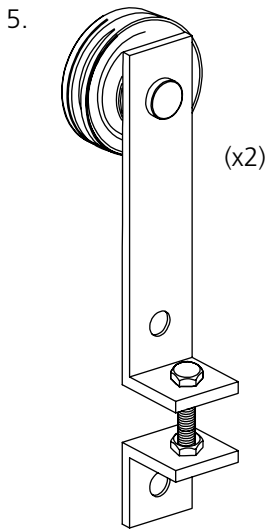
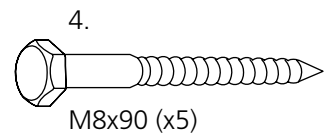
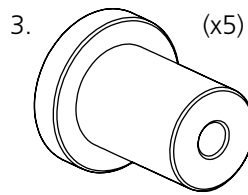
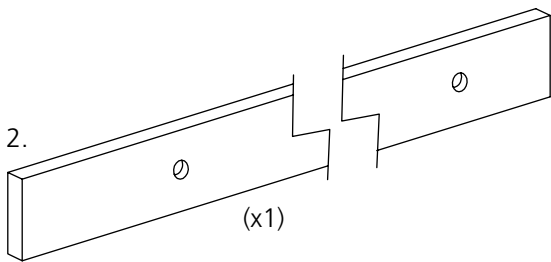
MIN 2 PERSON LIFT

CURATED
by **JELD WEN**

Pack contents

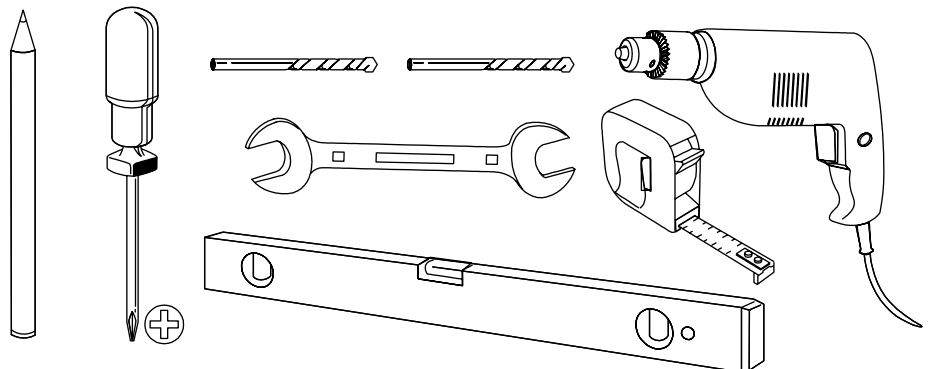
1. Sliding barn door
2. 2 meter track
3. Track spacers (x5)
4. Hexagon track fixing screws with washers (x5)
5. Door hanger (x2)

6. Hexagon door hanger bolts with washers and cap nuts (x4)
7. Jump stops with fixing screws (x2)
8. Door stops with Allen key (x2)
9. Bottom door guide with fixings

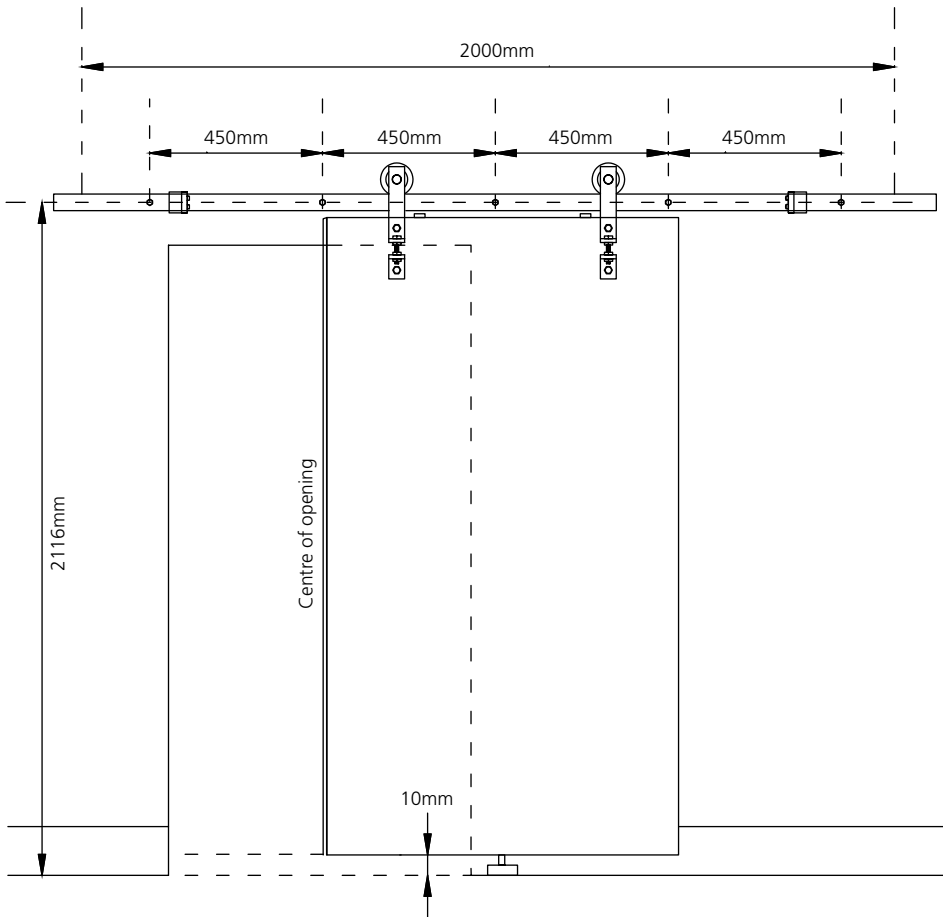


Tools required

- Pencil / Pen
- Philips screwdriver
- Spanner (for m8 and m10 fixings)
- Spirit level
- Tape measure
- Electric drill (with drill bits)



1 Locating the track

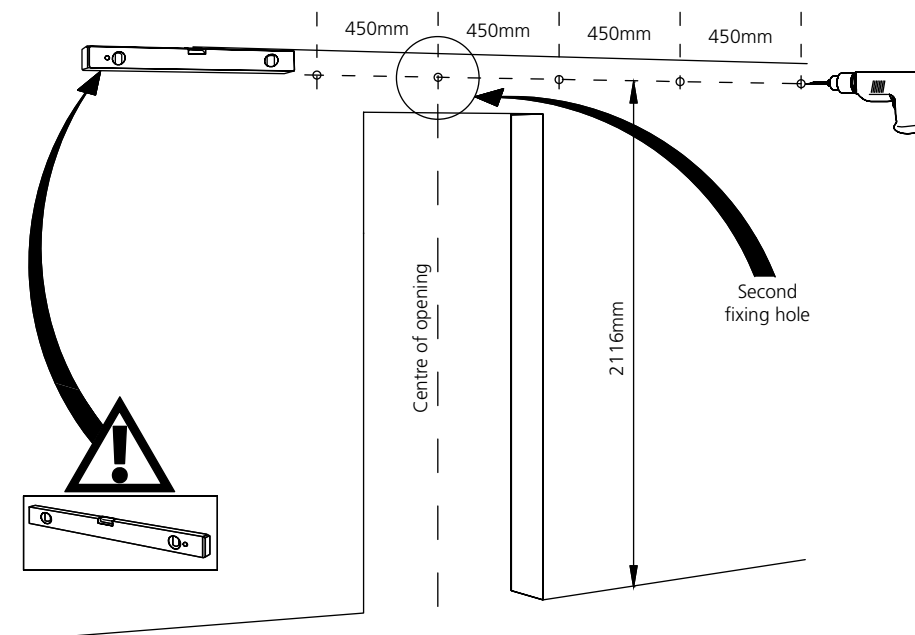


The track should be installed at 2116mm high, measuring from finished floor level, to the centre of the track.

This system can be installed for both right slide and left slide configurations.

This instructional guide shows a right slide system being installed.

For left slide installation please adjust accordingly.



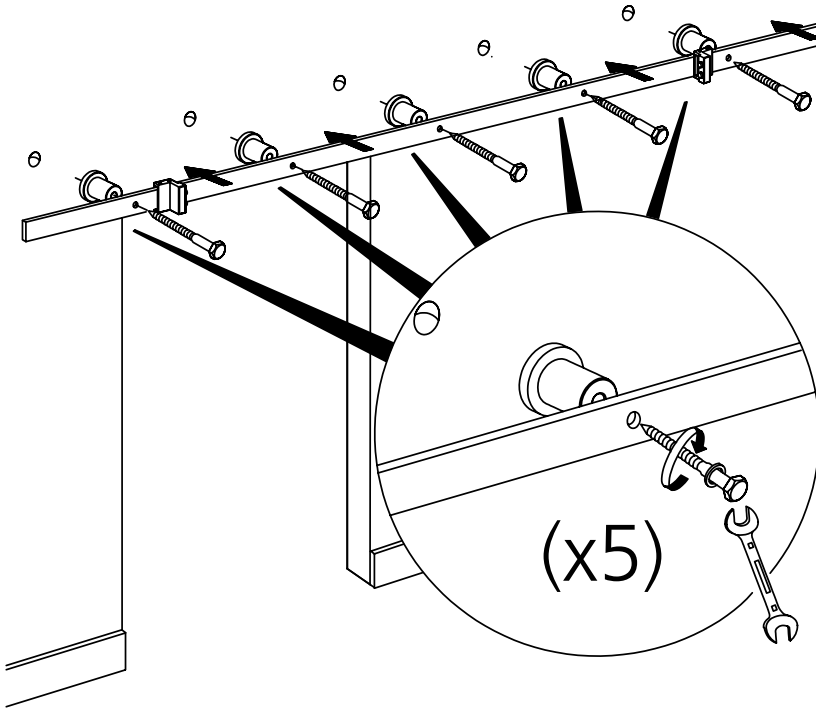
Using the second fixing hole on the track as a guide, position this in line with the centre of the opening.

Mark the location of all the required track fixings.

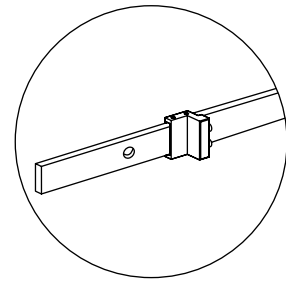
It is important that the track is installed level to ensure correct operation.

Drill for appropriate fixings to firmly secure the track to the construction of wall being installed to.

2 Fixing the track



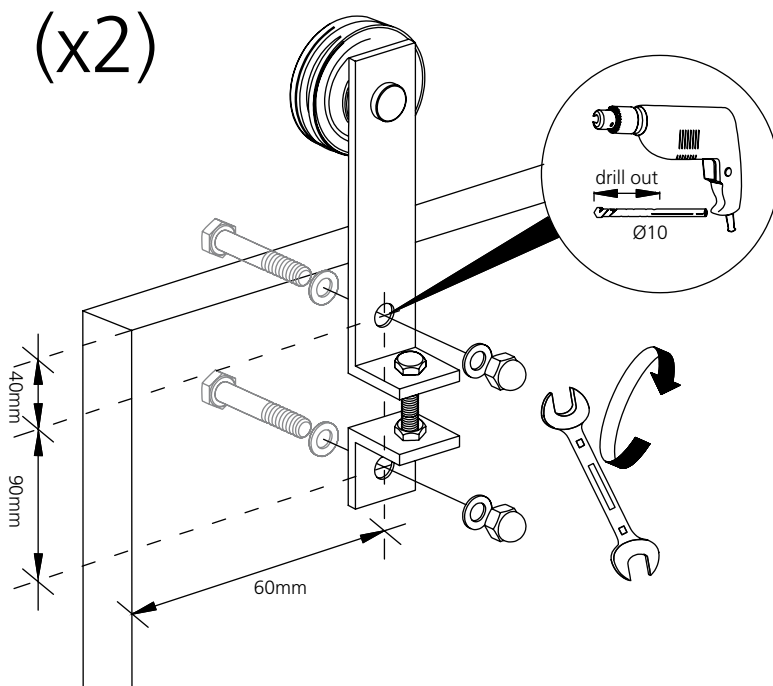
Before mounting the track to the wall, slide the door stops into position at either end as shown. The final location of the stops will be set at a later stage.



Fix the track to the wall using the track spacers and hexagon fixing screws supplied.

Ensure that the track is firmly fixed to the wall to safely hold the weight of the door.

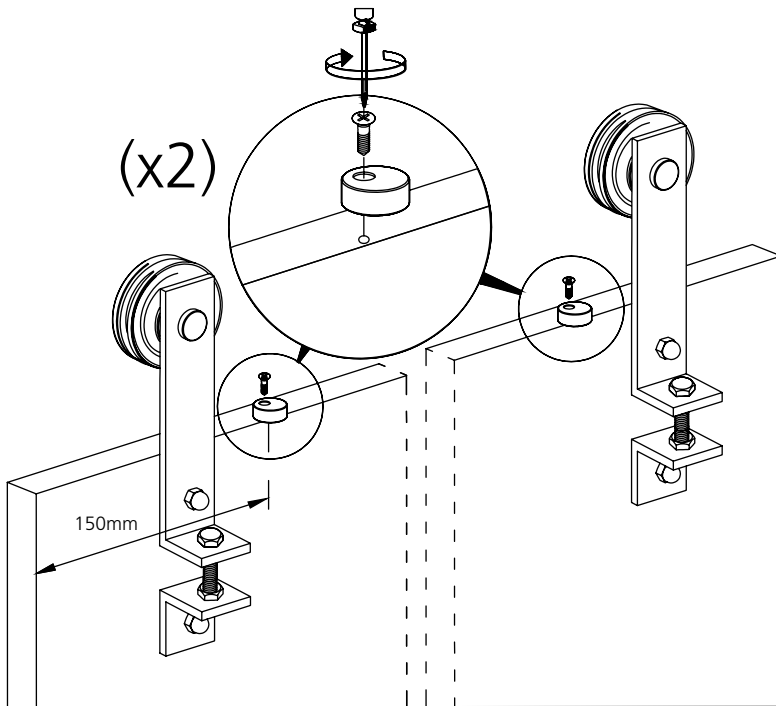
3 Attaching the door hangers



Drill 2x 10mm holes through the door, in the location shown in the diagram.

Use the 55mm Hexagon bolts provided to attach the hangers to the door.

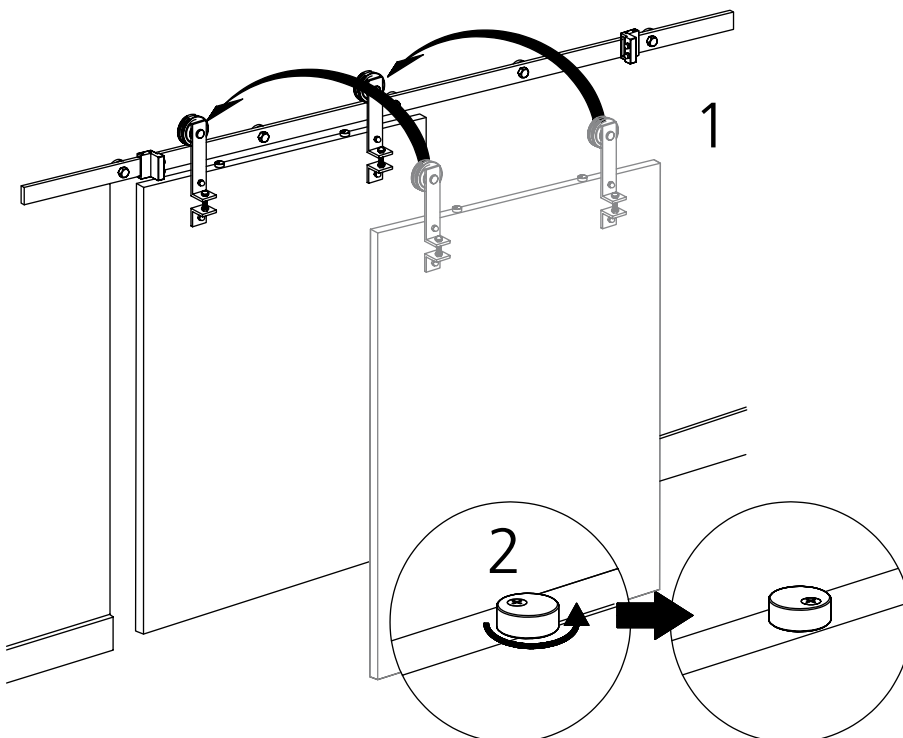
4 Attaching the jump stops



Attach the 2x jump stops to the top edge of the door, in the location as shown in the diagram.

During the hanging process the jump stops will need to be rotated to hang over the front face of the door, to allow space for the hangers to be lifted onto the track.

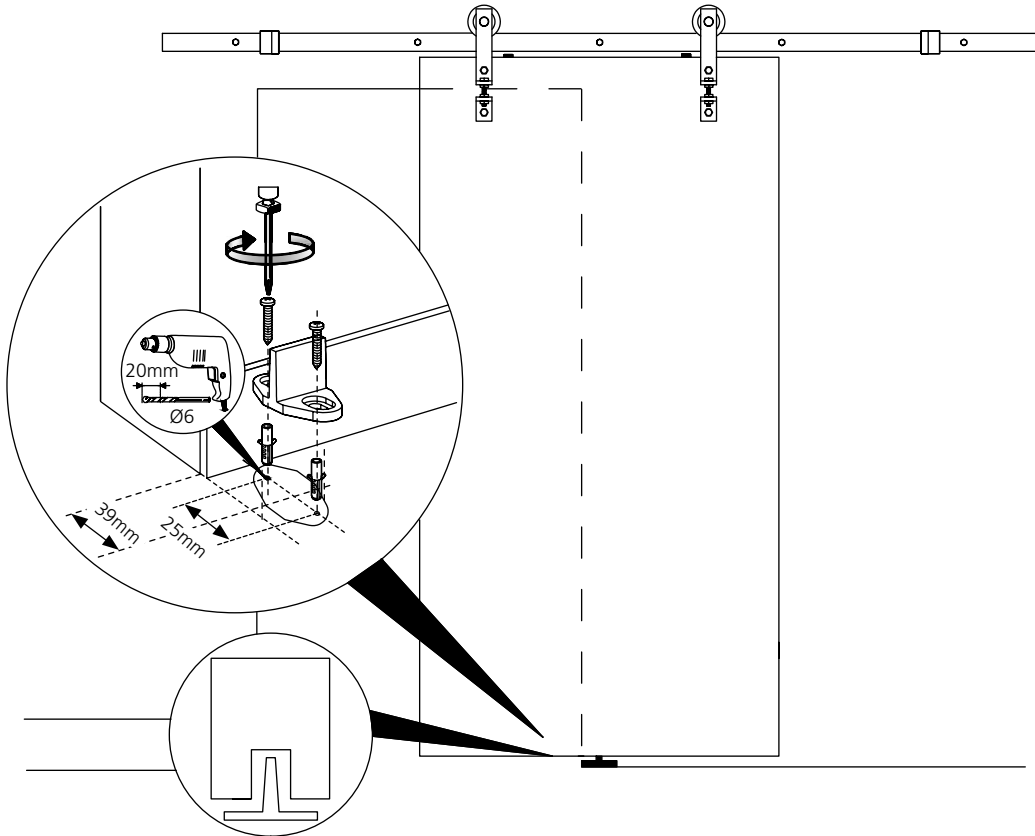
5 Hanging the door



Step 1: Once the door hangers and jump stops are attached to the door, lift the door onto the track as shown in the diagram. We advise two people are required to carry out this installation.

Step 2: Rotate the jump stops to secure the door in place.

6 Fixing the bottom floor guide



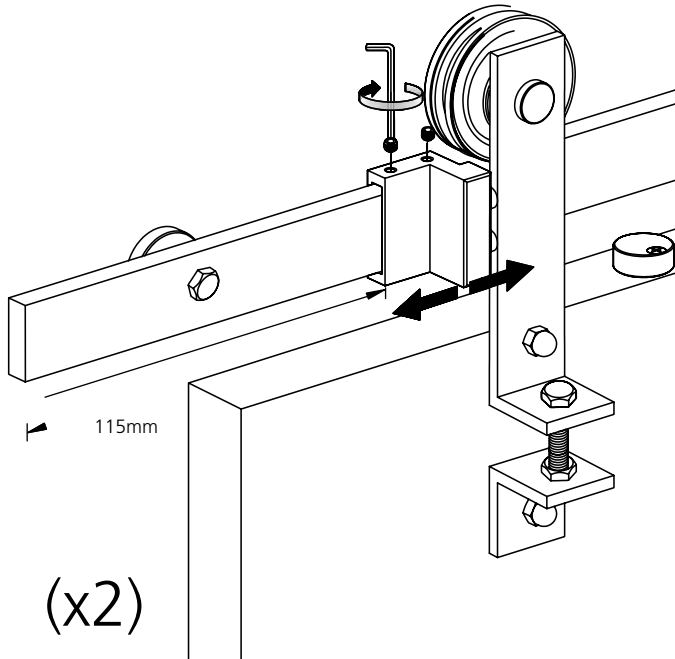
Once the door has been hung in position, the bottom floor guide will need to be fixed in place to prevent excessive movement.

Position the floor guide past the opening, as shown in the diagram.

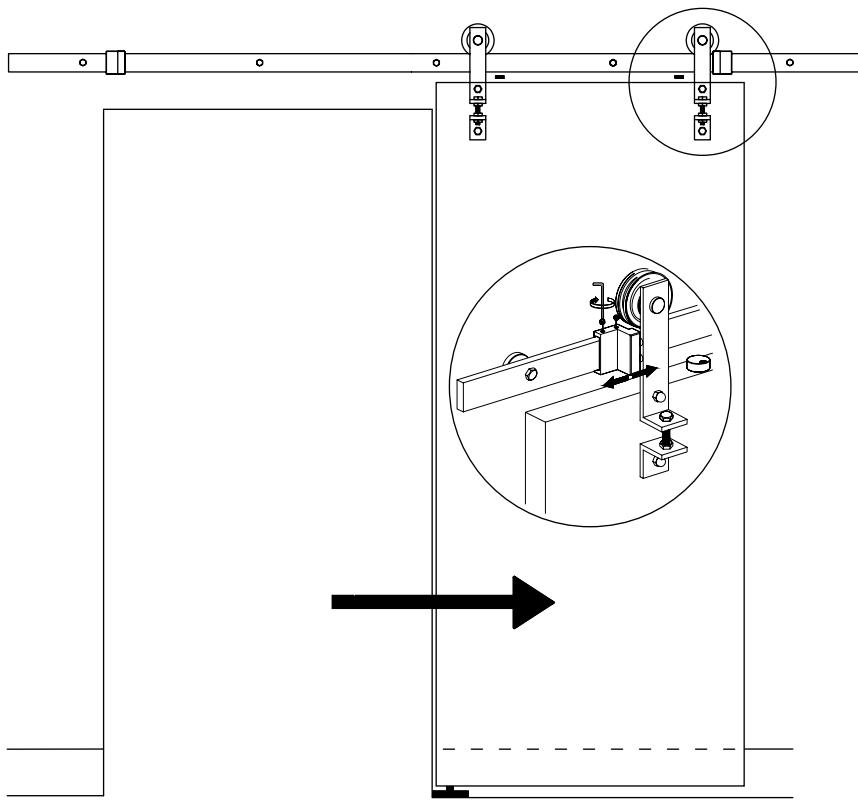
The door will need to be in contact with the floor guide at all time during operation.

Floor fixings are provided; however, your requirements may vary based on the type of flooring that you have.

7 Setting the door stops



Set the door stop on the closing side at 115mm from the edge of the track. This should allow the door to finish central to the opening when fully closed.



When locating the opening side door stop, ensure that the bottom of the door is still in contact with the bottom floor guide when fully open.

GRANGE

Interior Sliding Barn Doors

Silver Provincial Track

Fitting & Fixing Guidelines

www.curatedbyjeld-wen.co.uk

IMPORTANT All loads are taken by the top track to ensure smooth, light operation and long life. Prior to installing this doorset, inspect for damage and do not proceed to fit if any noticeable damage or defect is evident. This doorset should be stored in a dry flat location before installation.

CAUTION This product needs to be installed by a competent tradesperson with assistance. Two people are required to carry out the installation as some components are heavy. The track requires fixing to the supporting structure above the opening. The supporting structure **MUST** be capable of carrying the load in all conditions. Doors must not be trimmed.



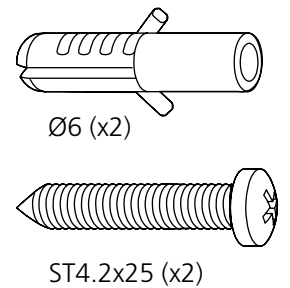
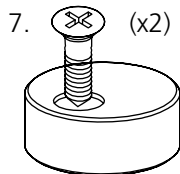
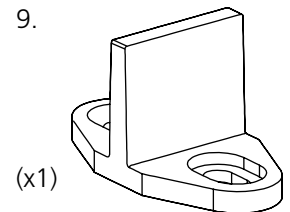
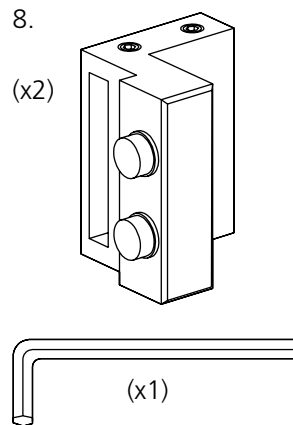
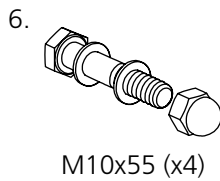
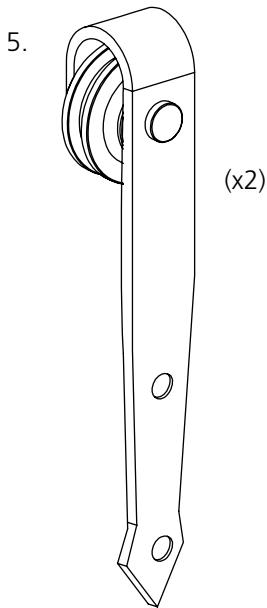
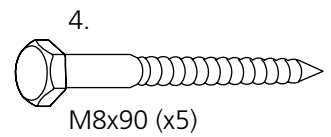
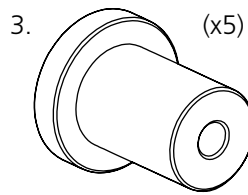
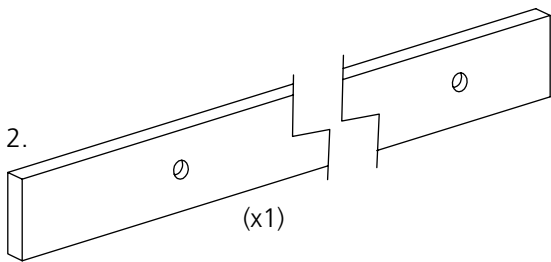
MIN 2 PERSON LIFT

CURATED
by **JELD WEN**

Pack contents

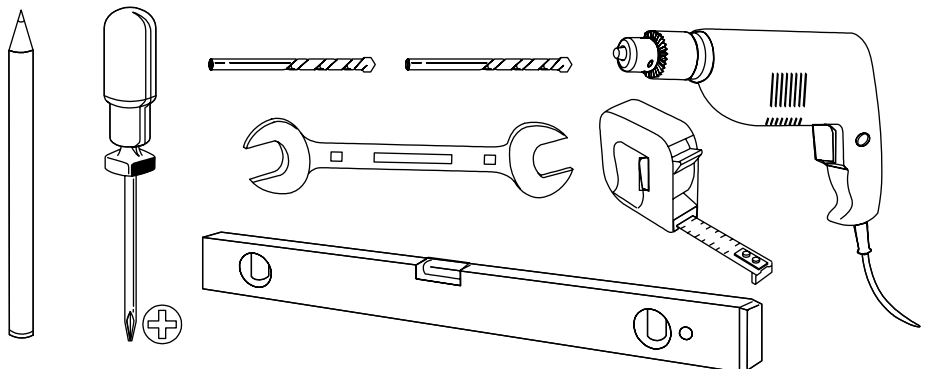
1. Sliding barn door
2. 2 meter track
3. Track spacers (x5)
4. Hexagon track fixing screws with washers (x5)
5. Door hanger (x2)

6. Hexagon door hanger bolts with washers and cap nuts (x4)
7. Jump stops with fixing screws (x2)
8. Door stops with Allen key (x2)
9. Bottom door guide with fixings

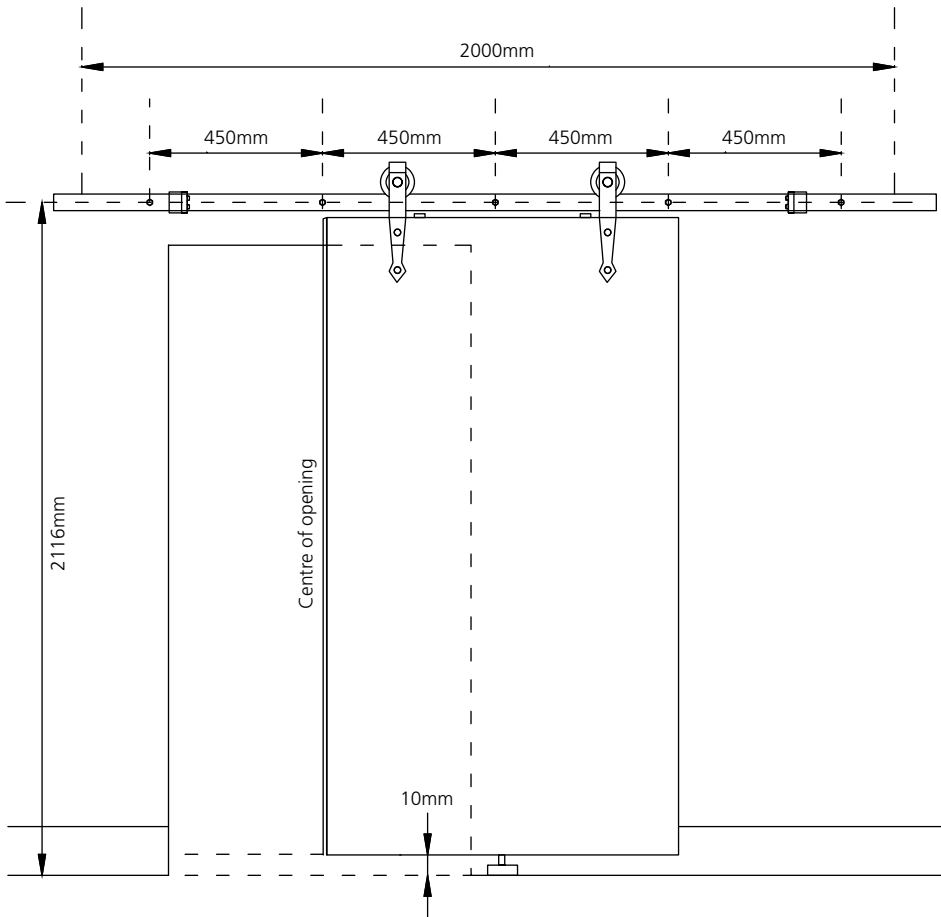


Tools required

- Pencil / Pen
- Philips screwdriver
- Spanner (for m8 and m10 fixings)
- Spirit level
- Tape measure
- Electric drill (with drill bits)



1 Locating the track

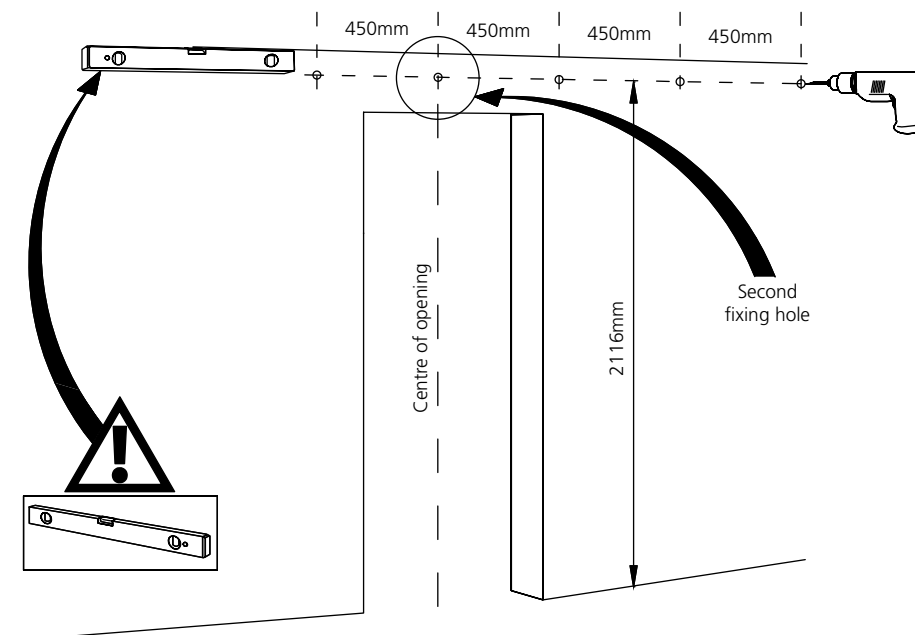


The track should be installed at 2116mm high, measuring from finished floor level, to the centre of the track.

This system can be installed for both right slide and left slide configurations.

This instructional guide shows a right slide system being installed.

For left slide installation please adjust accordingly.



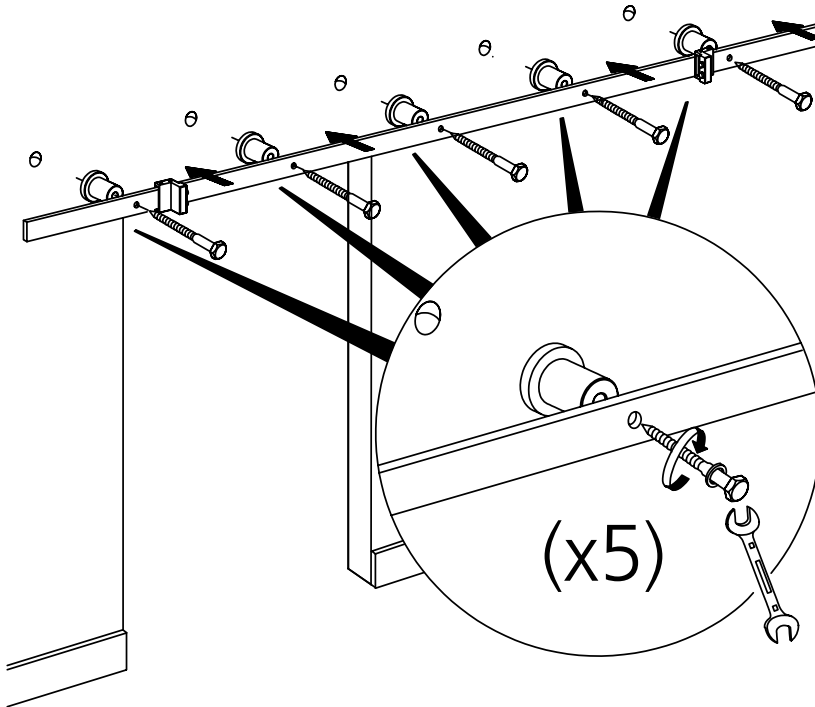
Using the second fixing hole on the track as a guide, position this in line with the centre of the opening.

Mark the location of all the required track fixings.

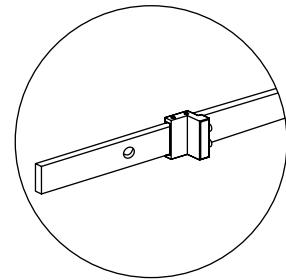
It is important that the track is installed level to ensure correct operation.

Drill for appropriate fixings to firmly secure the track to the construction of wall being installed to.

2 Fixing the track



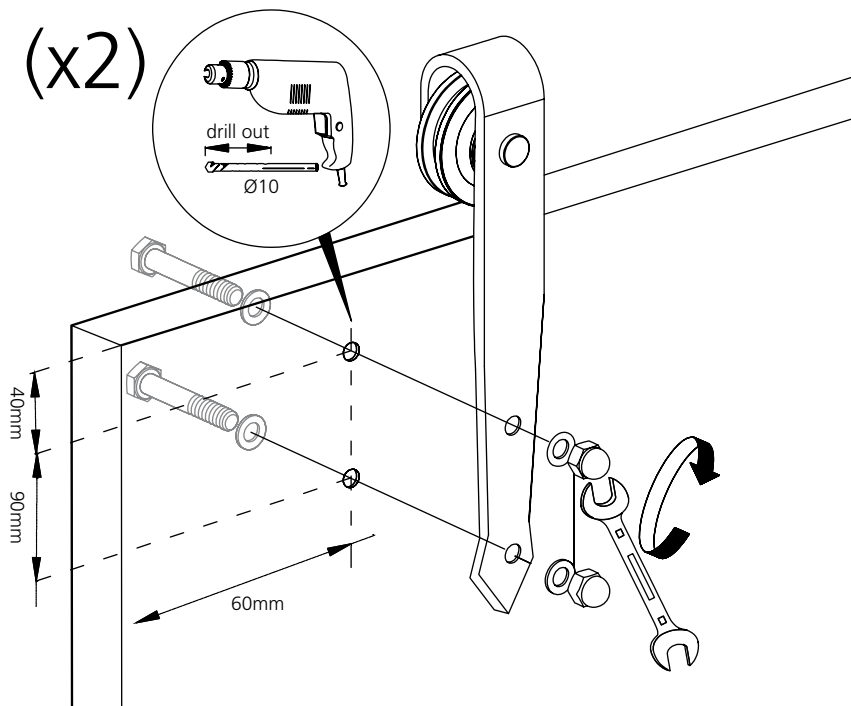
Before mounting the track to the wall, slide the door stops into position at either end as shown. The final location of the stops will be set at a later stage.



Fix the track to the wall using the track spacers and hexagon fixing screws supplied.

Ensure that the track is firmly fixed to the wall to safely hold the weight of the door.

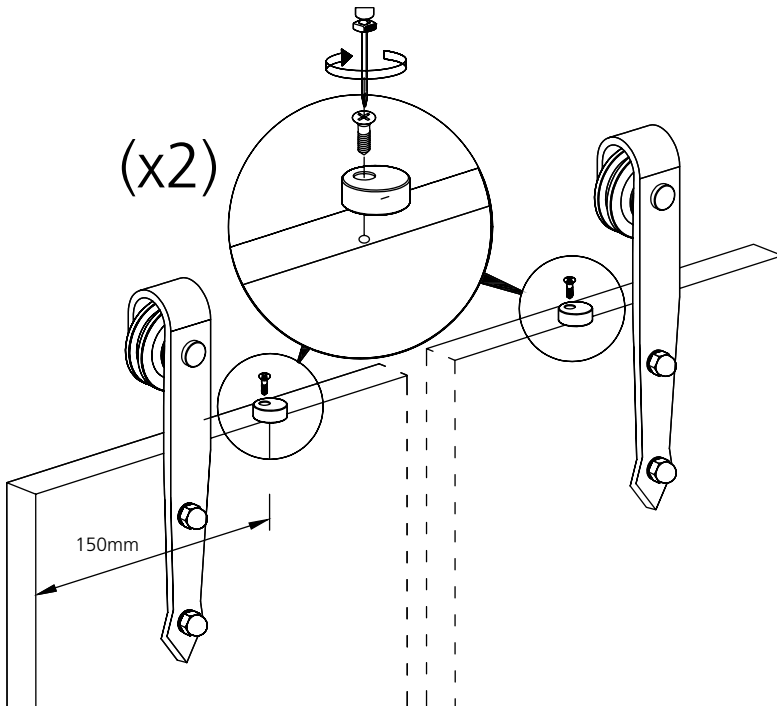
3 Attaching the door hangers



Drill 2x 10mm holes through the door, in the location shown in the diagram.

Use the 55mm Hexagon bolts provided to attach the hangers to the door.

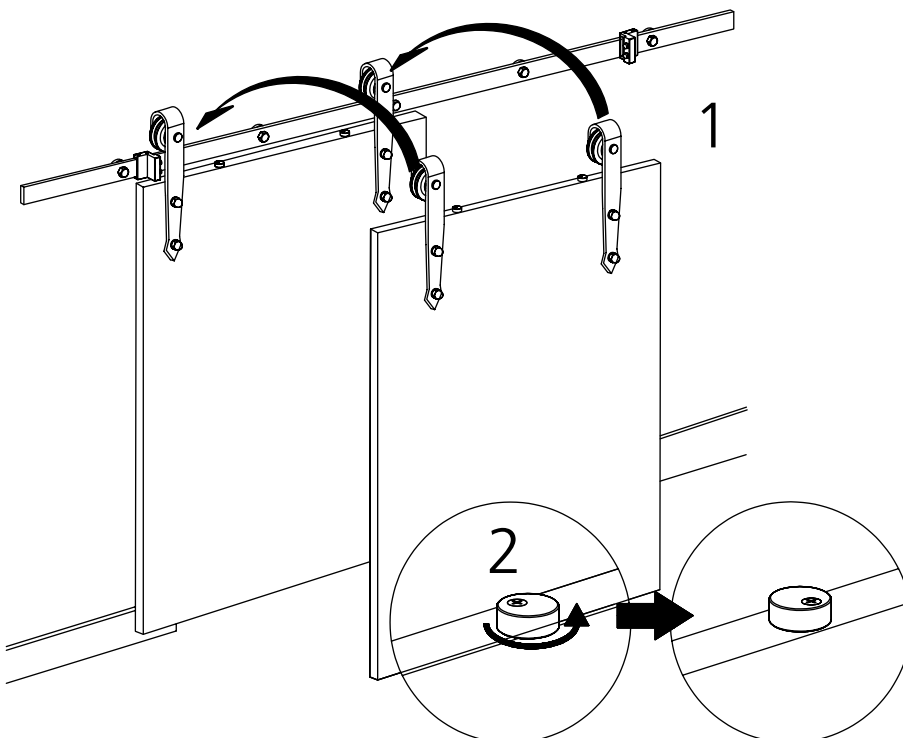
4 Attaching the jump stops



Attach the 2x jump stops to the top edge of the door, in the location as shown in the diagram.

During the hanging process the jump stops will need to be rotated to hang over the front face of the door, to allow space for the hangers to be lifted onto the track.

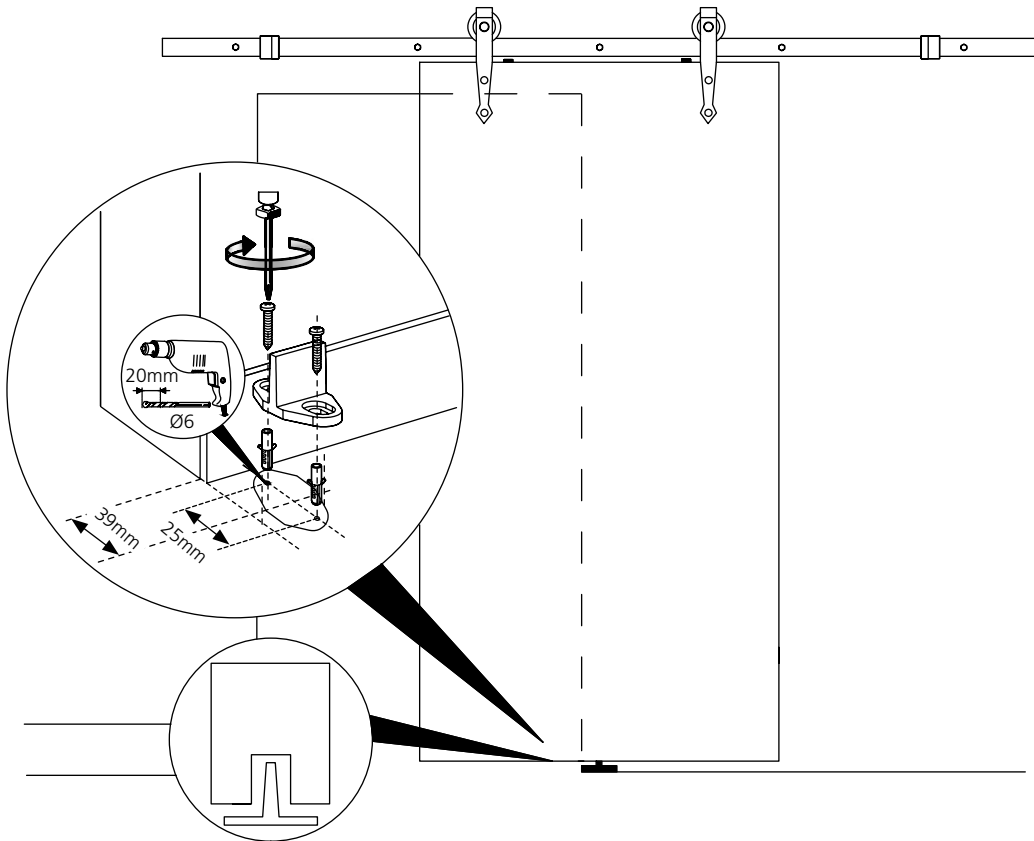
5 Hanging the door



Step 1: Once the door hangers and jump stops are attached to the door, lift the door onto the track as shown in the diagram. We advise two people are required to carry out this installation.

Step 2: Rotate the jump stops to secure the door in place.

6 Fixing the bottom floor guide



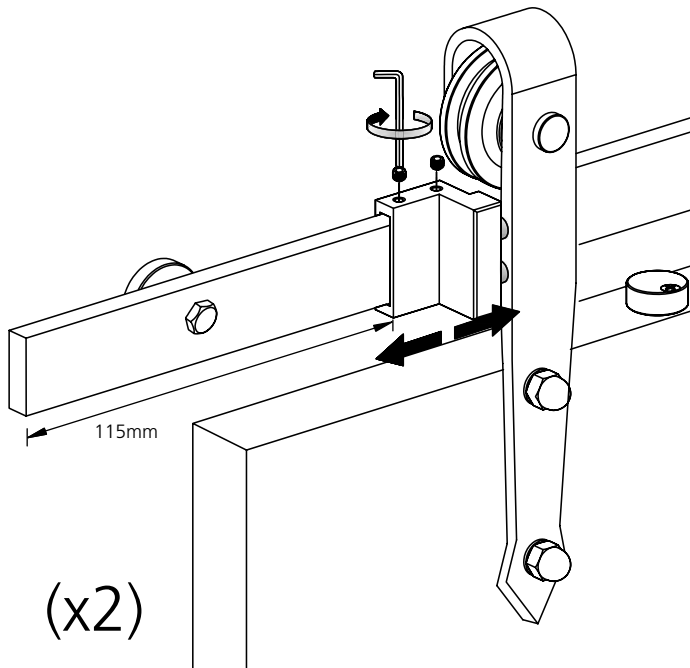
Once the door has been hung in position, the bottom floor guide will need to be fixed in place to prevent excessive movement.

Position the floor guide past the opening, as shown in the diagram.

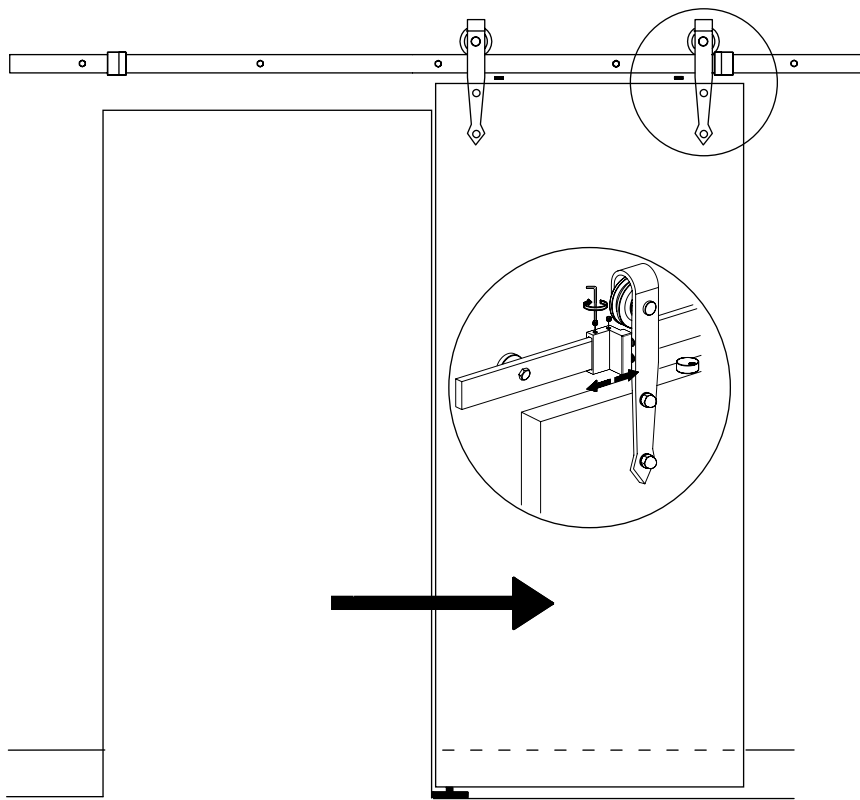
The door will need to be in contact with the floor guide at all time during operation.

Floor fixings are provided; however, your requirements may vary based on the type of flooring that you have.

7 Setting the door stops



Set the door stop on the closing side at 115mm from the edge of the track. This should allow the door to finish central to the opening when fully closed.



When locating the opening side door stop, ensure that the bottom of the door is still in contact with the bottom floor guide when fully open.

GRANGE

Interior Sliding Barn Doors

Black Urban Track

Fitting & Fixing Guidelines

www.curatedbyjeld-wen.co.uk

IMPORTANT All loads are taken by the top track to ensure smooth, light operation and long life. Prior to installing this doorset, inspect for damage and do not proceed to fit if any noticeable damage or defect is evident. This doorset should be stored in a dry flat location before installation.

CAUTION This product needs to be installed by a competent tradesperson with assistance. Two people are required to carry out the installation as some components are heavy. The track requires fixing to the supporting structure above the opening. The supporting structure **MUST** be capable of carrying the load in all conditions. Doors must not be trimmed.



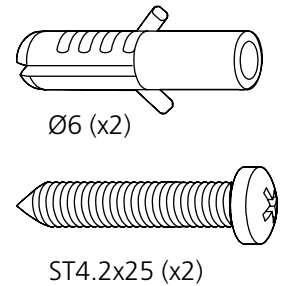
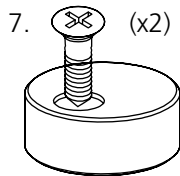
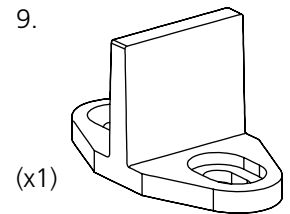
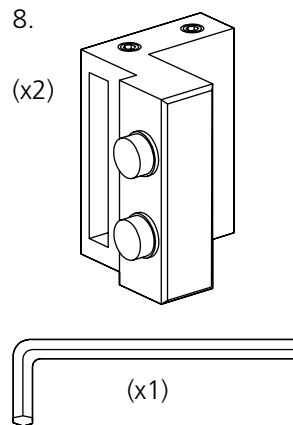
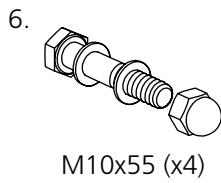
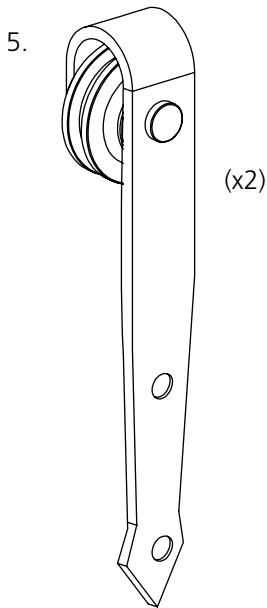
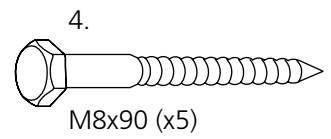
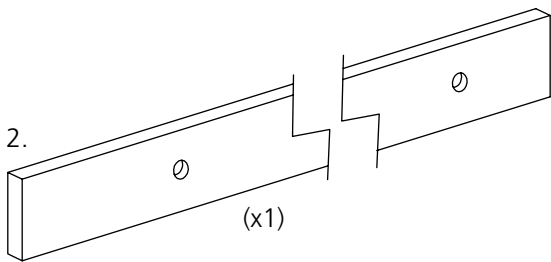
MIN 2 PERSON LIFT

CURATED
by **JELD WEN**

Pack contents

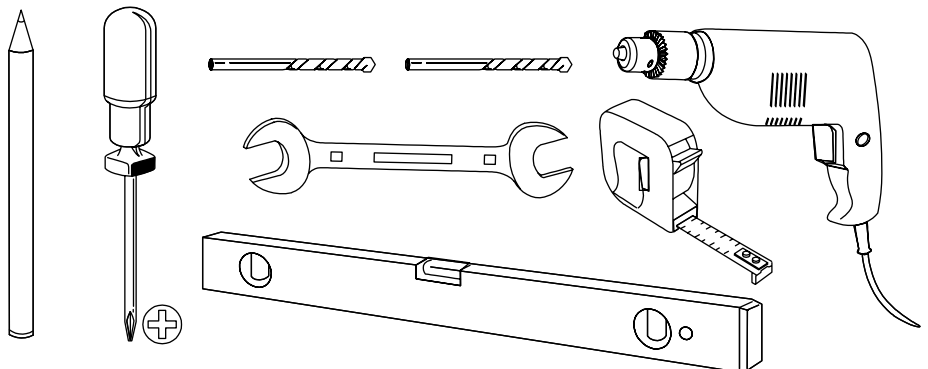
1. Sliding barn door
2. 2 meter track
3. Track spacers (x5)
4. Hexagon track fixing screws with washers (x5)
5. Door hanger (x2)

6. Hexagon door hanger bolts with washers and cap nuts (x4)
7. Jump stops with fixing screws (x2)
8. Door stops with Allen key (x2)
9. Bottom door guide with fixings

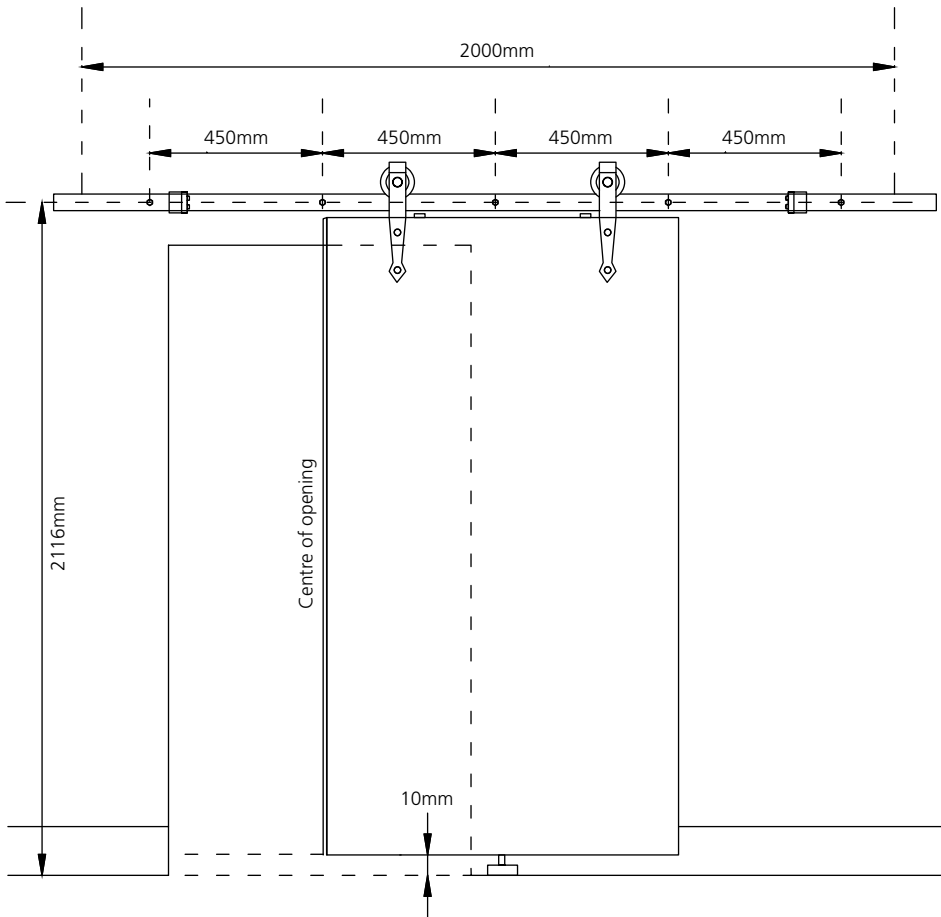


Tools required

- Pencil / Pen
- Philips screwdriver
- Spanner (for m8 and m10 fixings)
- Spirit level
- Tape measure
- Electric drill (with drill bits)



1 Locating the track

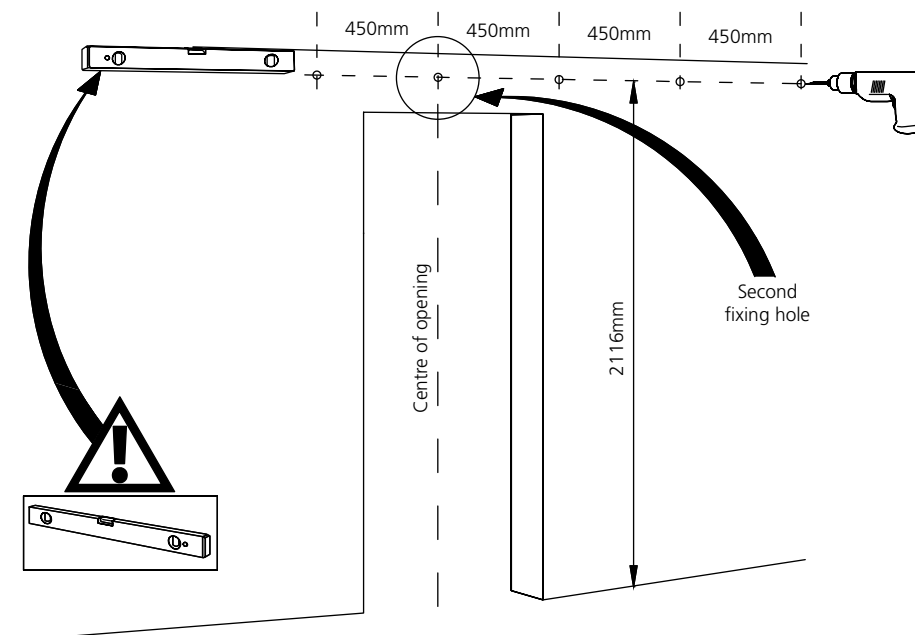


The track should be installed at 2116mm high, measuring from finished floor level, to the centre of the track.

This system can be installed for both right slide and left slide configurations.

This instructional guide shows a right slide system being installed.

For left slide installation please adjust accordingly.



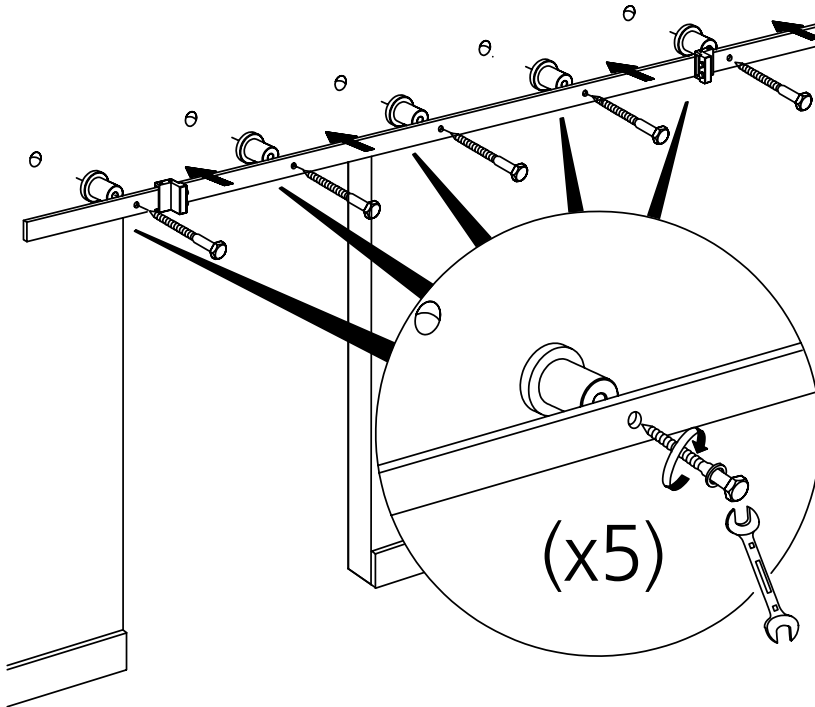
Using the second fixing hole on the track as a guide, position this in line with the centre of the opening.

Mark the location of all the required track fixings.

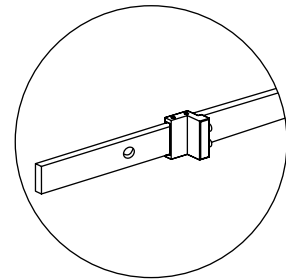
It is important that the track is installed level to ensure correct operation.

Drill for appropriate fixings to firmly secure the track to the construction of wall being installed to.

2 Fixing the track



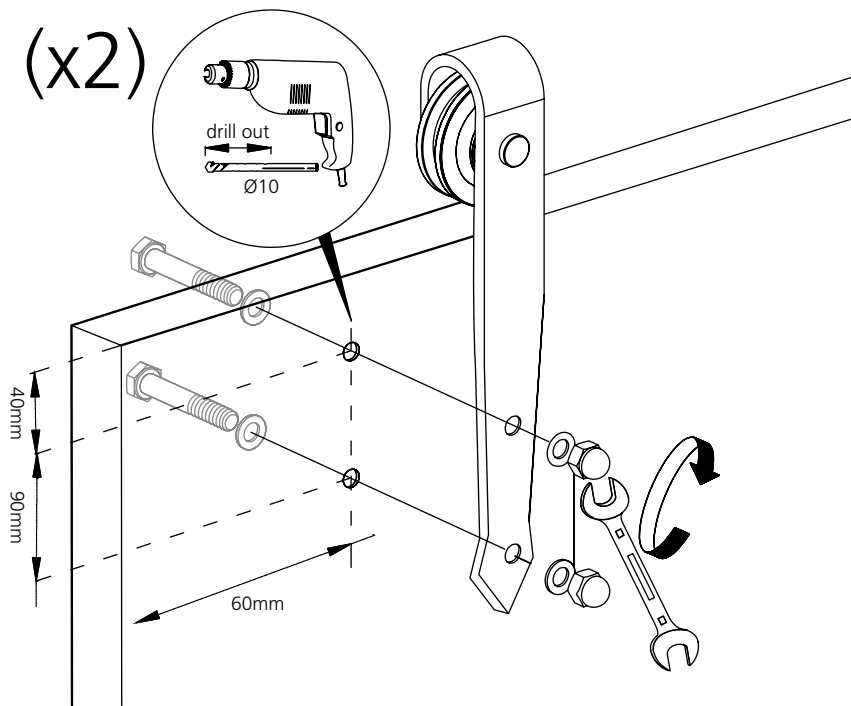
Before mounting the track to the wall, slide the door stops into position at either end as shown. The final location of the stops will be set at a later stage.



Fix the track to the wall using the track spacers and hexagon fixing screws supplied.

Ensure that the track is firmly fixed to the wall to safely hold the weight of the door.

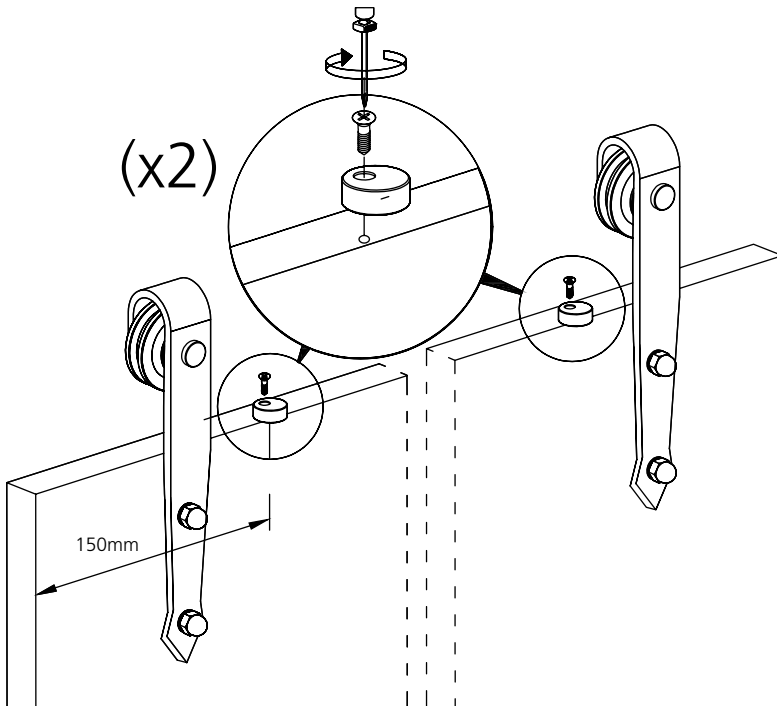
3 Attaching the door hangers



Drill 2x 10mm holes through the door, in the location shown in the diagram.

Use the 55mm Hexagon bolts provided to attach the hangers to the door.

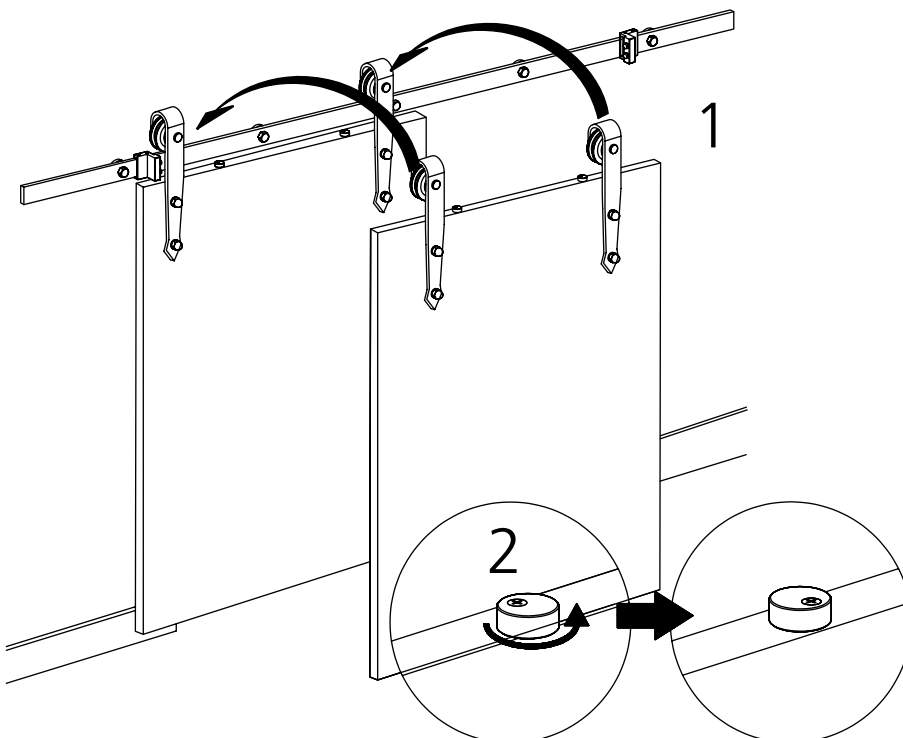
4 Attaching the jump stops



Attach the 2x jump stops to the top edge of the door, in the location as shown in the diagram.

During the hanging process the jump stops will need to be rotated to hang over the front face of the door, to allow space for the hangers to be lifted onto the track.

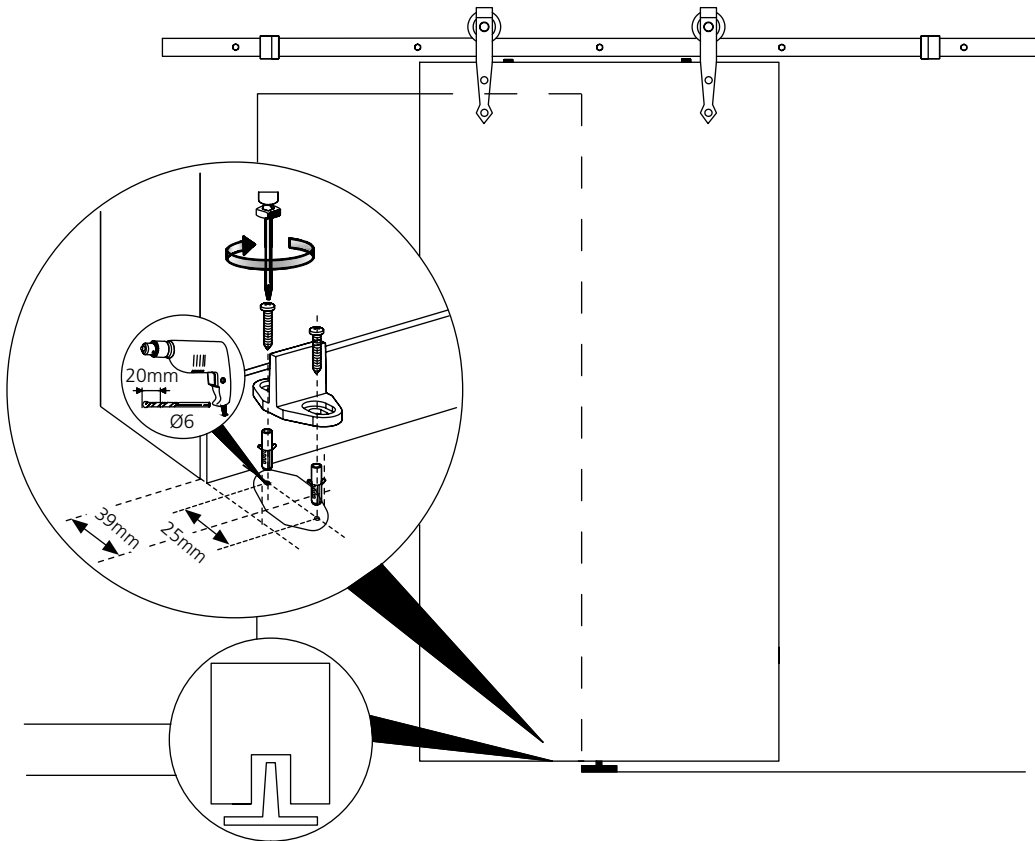
5 Hanging the door



Step 1: Once the door hangers and jump stops are attached to the door, lift the door onto the track as shown in the diagram. We advise two people are required to carry out this installation.

Step 2: Rotate the jump stops to secure the door in place.

6 Fixing the bottom floor guide



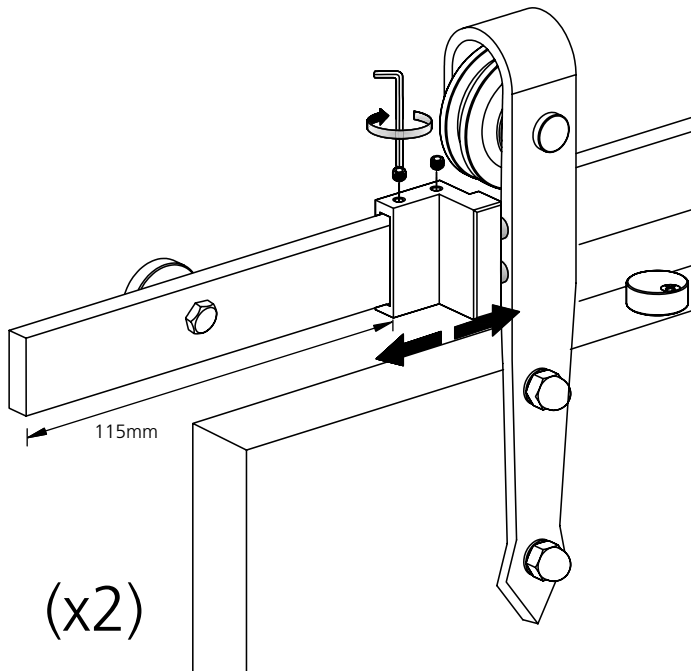
Once the door has been hung in position, the bottom floor guide will need to be fixed in place to prevent excessive movement.

Position the floor guide past the opening, as shown in the diagram.

The door will need to be in contact with the floor guide at all time during operation.

Floor fixings are provided; however, your requirements may vary based on the type of flooring that you have.

7 Setting the door stops



Set the door stop on the closing side at 115mm from the edge of the track. This should allow the door to finish central to the opening when fully closed.

